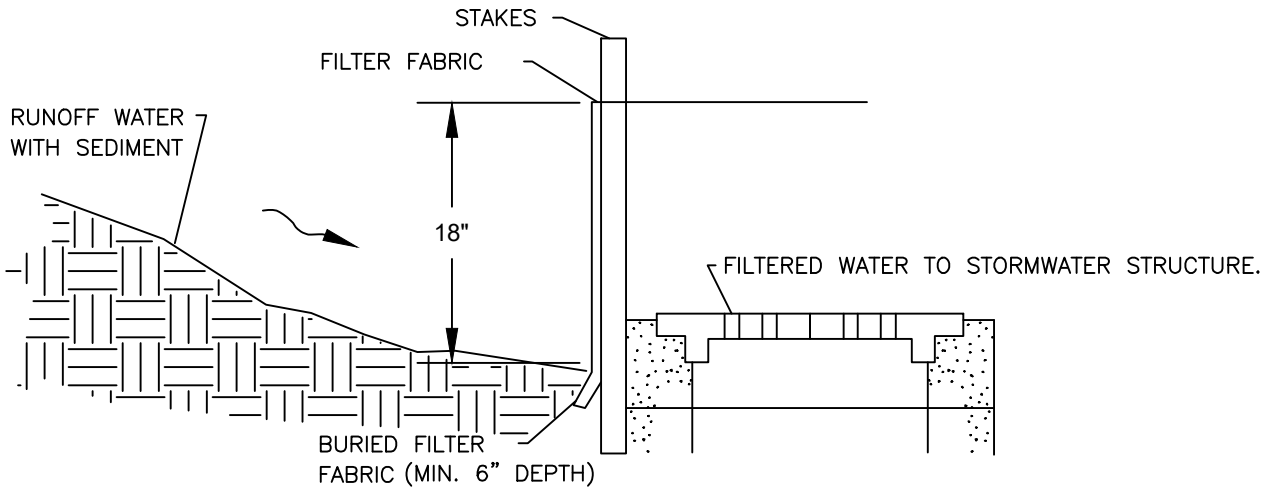
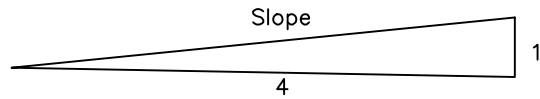


PLAN VIEW
Slope 4H:1V



PROFILE

NO.	REVISIONS	DATE	BY	APPROVED
1				
2				
3				
4				DISTRICT ENGINEER