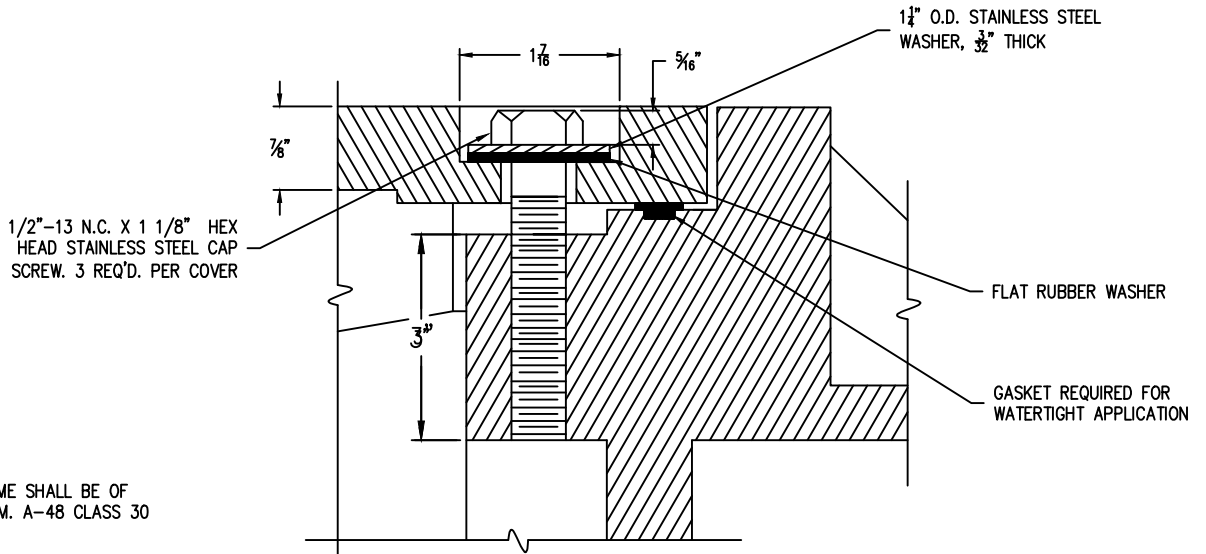
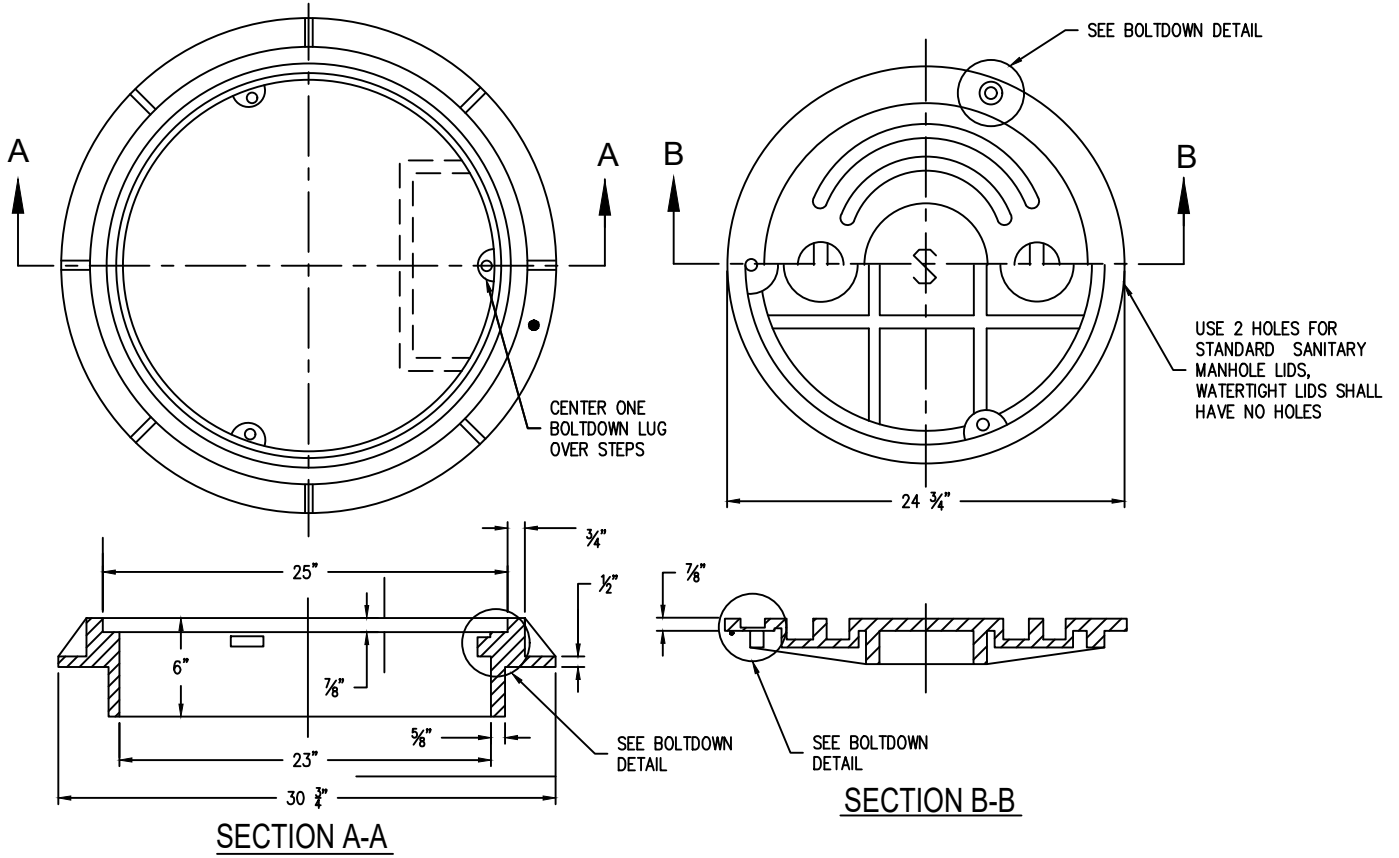


TAMPERPROOF MANHOLE RING

3-BOLTDOWN COVER



NOTE: COVER AND FRAME SHALL BE OF GRAY CAST IRON A.S.T.M. A-48 CLASS 30

BOLT-DOWN DETAIL

OAK LODGE

WATER SERVICES

SANITARY SYSTEM STANDARD DRAWING

FRAME & COVER (SECURE / WATERTIGHT)

NO.	REVISIONS	DATE	BY
1			
2			
3			
4			

DRAWING NO.

310

DATE: 09/12/2017

SCALE: NTS