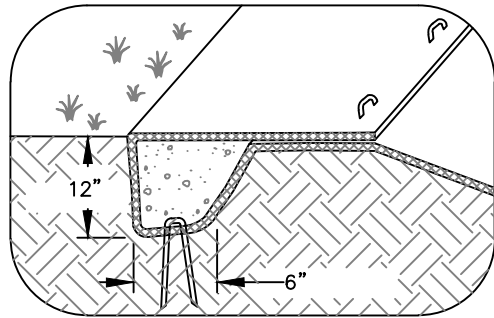
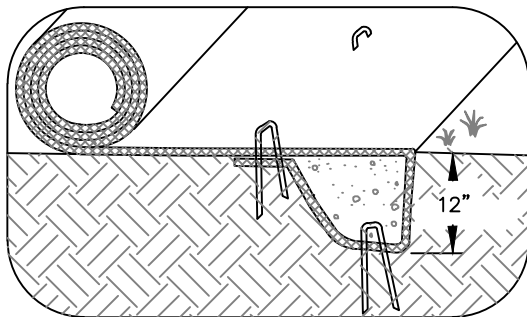
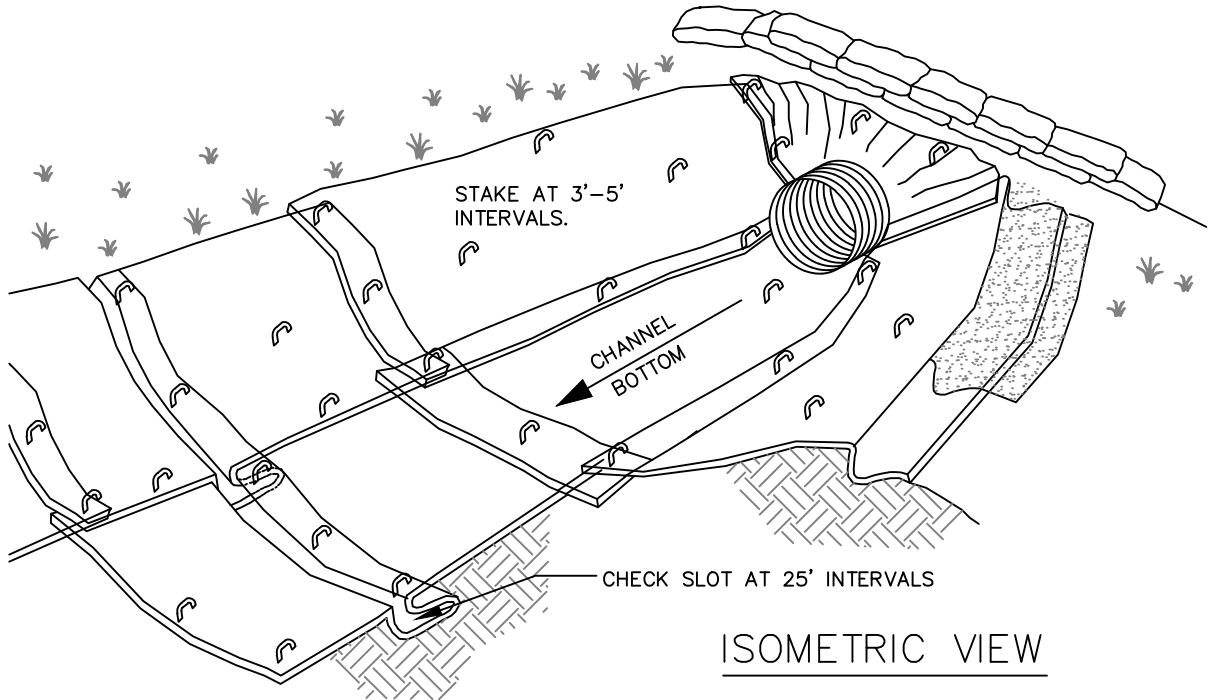


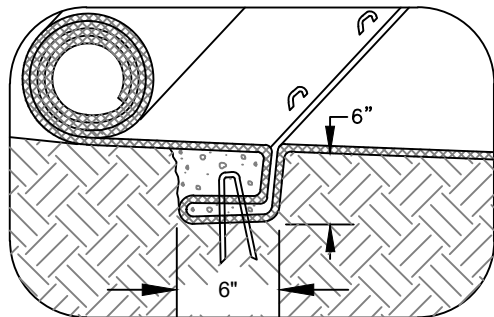
LONGITUDINAL ANCHOR TRENCH



TERMINAL SLOPE AND CHANNEL ANCHOR TRENCH



INITIAL CHANNEL ANCHOR TRENCH



INTERMITTENT CHECK SLOT

NOTES:

1. CHECK SLOTS TO BE CONSTRUCTED PER MANUFACTURERS SPECIFICATIONS.
2. STAKING OR STAPLING LAYOUT PER MANUFACTURERS SPECIFICATIONS.

NO.	REVISIONS	DATE	BY	APPROVED
1				
2				
3				
4				DISTRICT ENGINEER