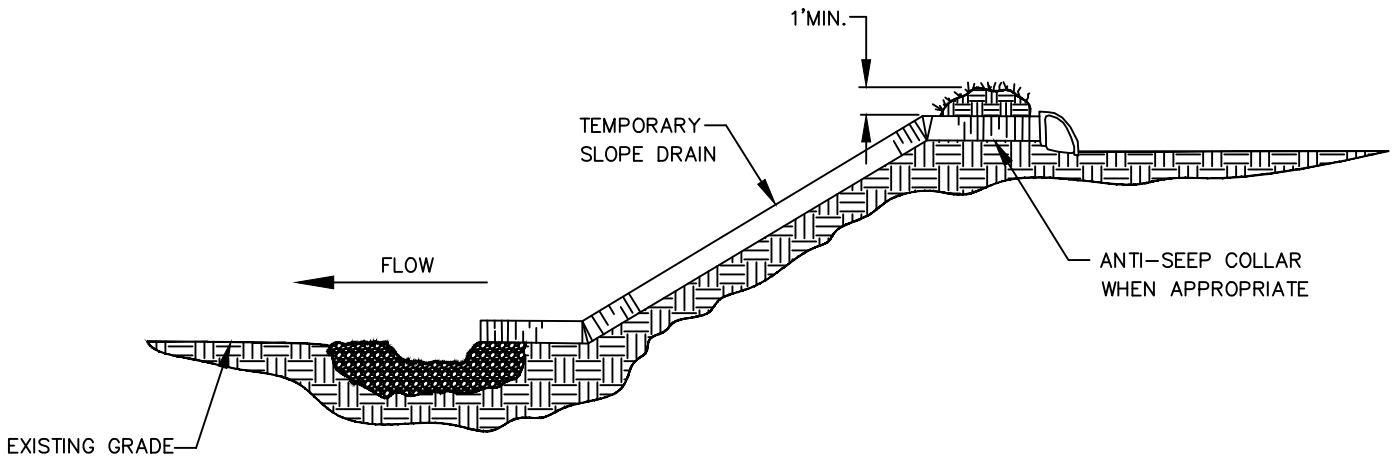
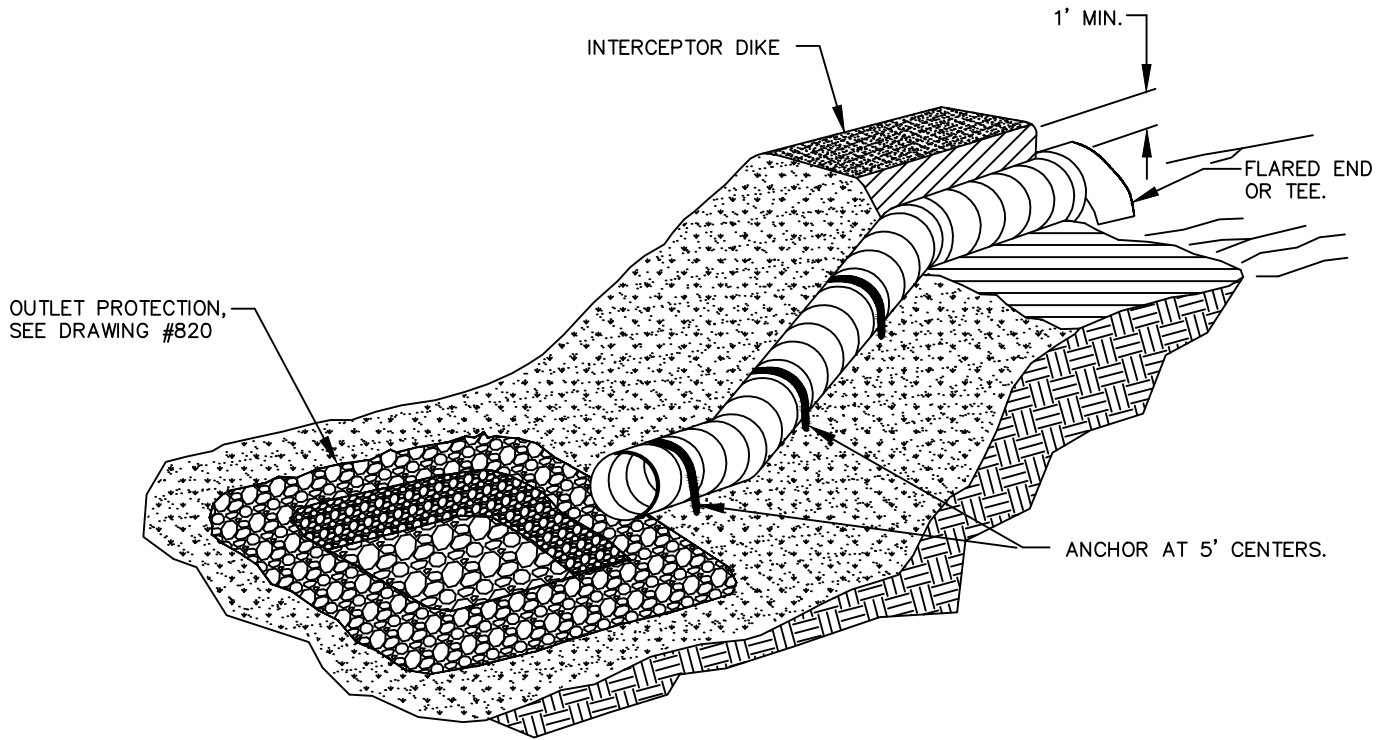


FOR FURTHER INFORMATION  
ON DESIGN CRITERIA SEE  
CHAPTER 4 OF CLEAN WATER  
SERVICES EROSION PREVENTION  
AND SEDIMENT CONTROL  
PLANNING AND DESIGN MANUAL.



**OAK LODGE**  
WATER SERVICES

EROSION CONTROL STANDARD DRAWING

CHANNEL FLOW  
PIPE SLOPE DRAIN

NO.	REVISIONS	DATE	BY	APPROVED
1				
2				
3				
4				DISTRICT ENGINEER

DRAWING NO.

254

DATE: 02/18/2020

SCALE: NTS