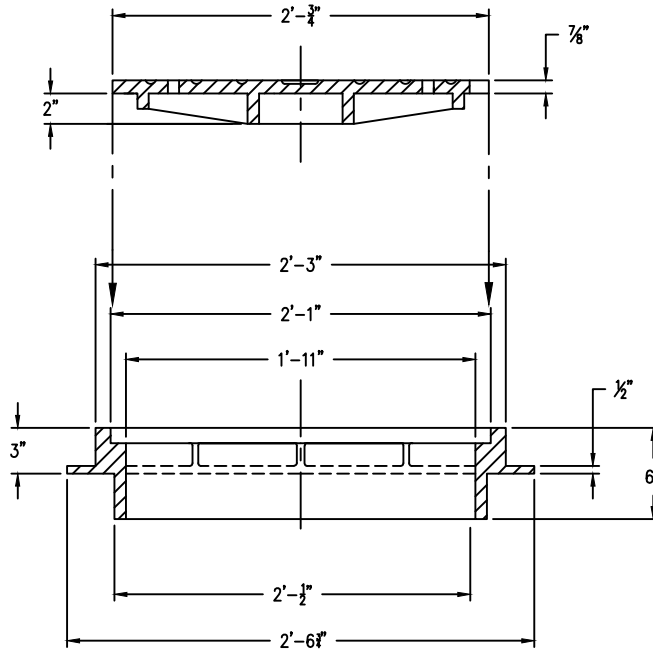


TOP VIEW



SECTION A-A

NOTES

1. COVER AND FRAME SHALL BE OF GRAY CAST IRON  
A.S.T.M. A-48 CLASS 30
2. SUBURBAN FRAME & COVER CAN BE USED IN  
EASEMENTS AND SUBDIVISION STREETS EXCEPT  
COLLECTOR, ARTERIAL, AND INDUSTRIAL STREETS, OR  
AS NOTED ON CONSTRUCTION PLANS.
3. SANITARY COVER WILL HAVE TWO 3/4" Ø HOLES.

**OAK LODGE**  
WATER SERVICES

FRAME & COVER (SUBURBAN)

DRAWING NO.

309

SANITARY SYSTEM STANDARD DRAWING

NO.	REVISIONS	DATE	BY
1			
2			
3			
4			

DATE: 09/12/2017

SCALE: NTS