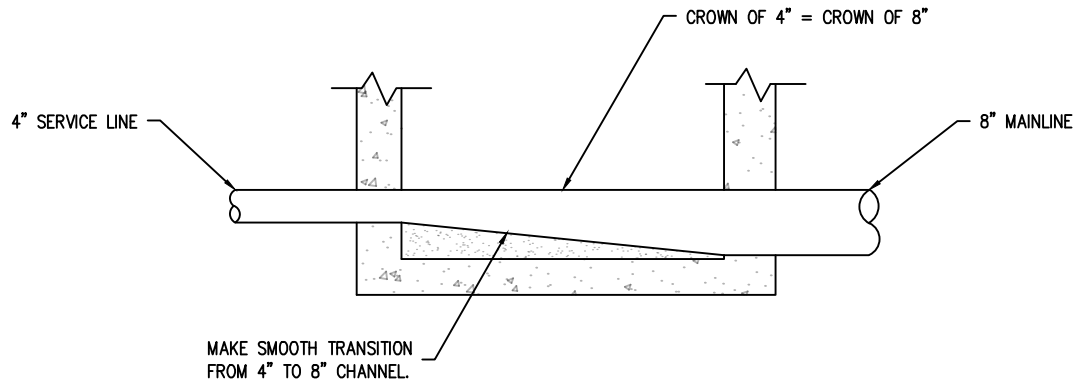


PLAN



SECTION A-A

NOTES:

1. CHANNEL MANHOLE TO MATCH INLET & OUTLET PIPE DIAMETERS & PROVIDE SMOOTH TRANSITION.
2. MATCH CROWN OF INLET & OUTLET PIPES & CHANNELIZATION.

NO.	REVISIONS	DATE	BY
1			
2			
3			
4			