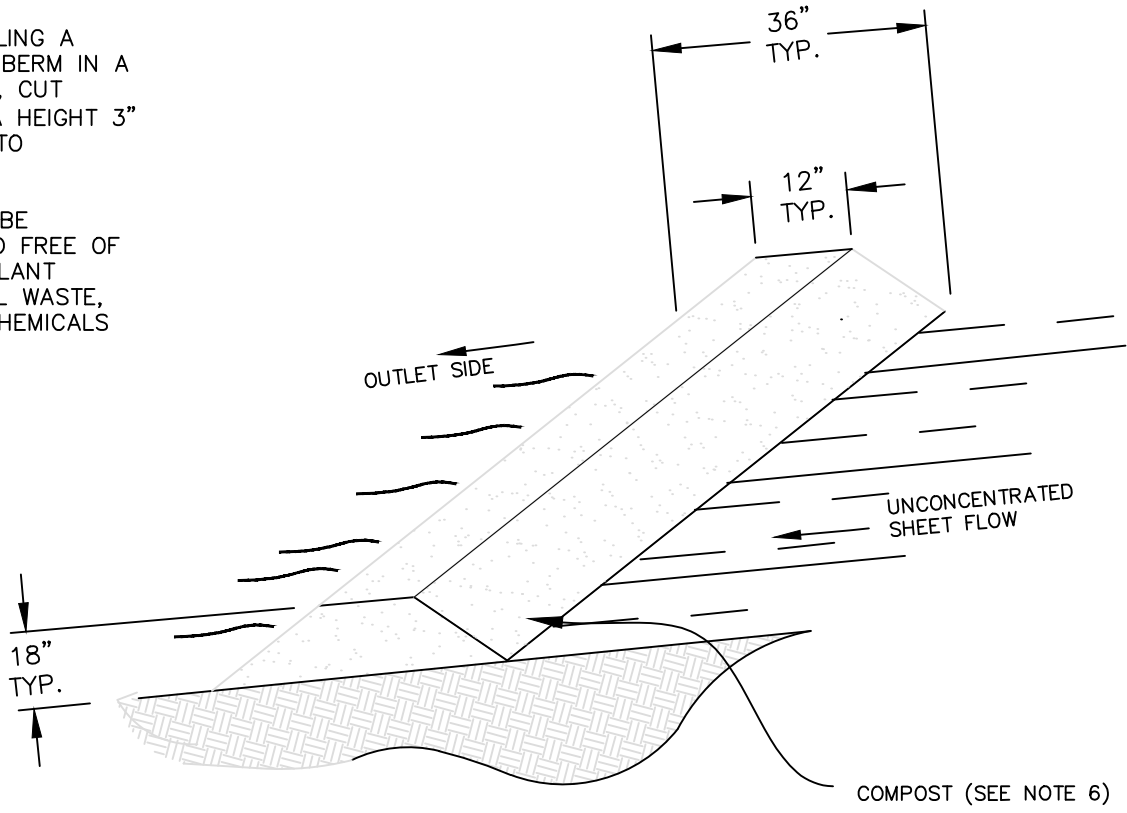


ROCK FILTER BERM

NOTES:

1. DIRECT THE OUTLET SIDE OF THE ROCK/COMPOST FILTER BERMS ONTO A STABILIZED AREA, SUCH AS LAWN, VEGETATION AND/OR ROCK
2. EMBED ROCK FILTER BERM A MIN. OF 4" INTO THE EXISTING GROUND/EMBANKMENT.
3. USE ROCK FILTER BERM ON 3H:1V OR FLATTER SIDE SLOPES. WITHIN SAFETY CLEAR ZONES, USE 6H:1V OR FLATTER SIDE SLOPES.
4. PLACE FILTER BERMS ALONG GROUND CONTOURS WITH ENDS TURNED UP SLOPE
5. PRIOR TO INSTALLING A COMPOST FILTER BERM IN A VEGETATED AREA, CUT VEGETATION TO A HEIGHT 3" OR LESS PRIOR TO INSTALLATION.
6. COMPOST SHALL BE DECOMPOSED AND FREE OF WEEDS, WOODY PLANT MATERIAL, ANIMAL WASTE, PLASTICS, AND CHEMICALS TREATMENTS.



COMPOST FILTER BERM

NO.	REVISIONS	DATE	BY	APPROVED
1				
2				
3				
4				DISTRICT ENGINEER