

EROSION CONTROL STANDARD DRAWING INDEX

200	EROSION CONTROL STANDARD DRAWING INDEX
202	STANDARD EROSION CONTROL NOTES FOR SITES LESS THAN ONE ACRE
210	SEDIMENT BARRIER – SINGLE FAMILY RESIDENTIAL
212	SEDIMENT BARRIER – SEDIMENT FENCE
214	SEDIMENT BARRIER – WATTLES
216	SEDIMENT BARRIER – SIDEWALK SUBGRADE
220	SOIL PILE PROTECTION – PLASTIC SHEETING
222	CONCRETE WASHOUT STATION
224	TIRE CLEANING – CONSTRUCTION ENTRANCE
225	TIRE CLEANING – MANUAL HOSE WASH
226	TIRE CLEANING – DRIVE THROUGH WASH
227	TIRE CLEANING – OAK MATS
230	INLET PROTECTION – TYPE 1
232	INLET PROTECTION – TYPE 3
234	INLET PROTECTION – TYPE 4
236	INLET PROTECTION – TYPE 5
238	INLET PROTECTION – TYPE 6
240	SLOPE PROTECTION – MATTING
242	SLOPE PROTECTION – CAT TRACKING
244	SLOPE PROTECTION – STAIR STEPPING
246	SLOPE PROTECTION – FILTER BERMS
250	CHANNEL FLOW – BIO-FILTER BAG
251	CHANNEL FLOW – ROCK CHECK DAM
252	CHANNEL FLOW – SPACING TABLES
253	CHANNEL FLOW – CHANNEL MATTING
254	CHANNEL FLOW – PIPE SLOPE DRAIN
255	CHANNEL FLOW – RIPRAP OUTLET PROTECTION
256	CHANNEL FLOW – OUTLET STILLING BASIN
260	RETENTION – SWALE
262	RETENTION – SEDIMENT TRAP
264	RETENTION – SEDIMENT BASIN
266	PUMPED TREATMENT – SEDIMENT BAG



EROSION CONTROL STANDARD DRAWING INDEX

DRAWING NO.

200

NO.	REVISIONS	DATE	BY	APPROVED
1				
2				
3				
4				

DATE: 02/18/2020


SCALE: NTS

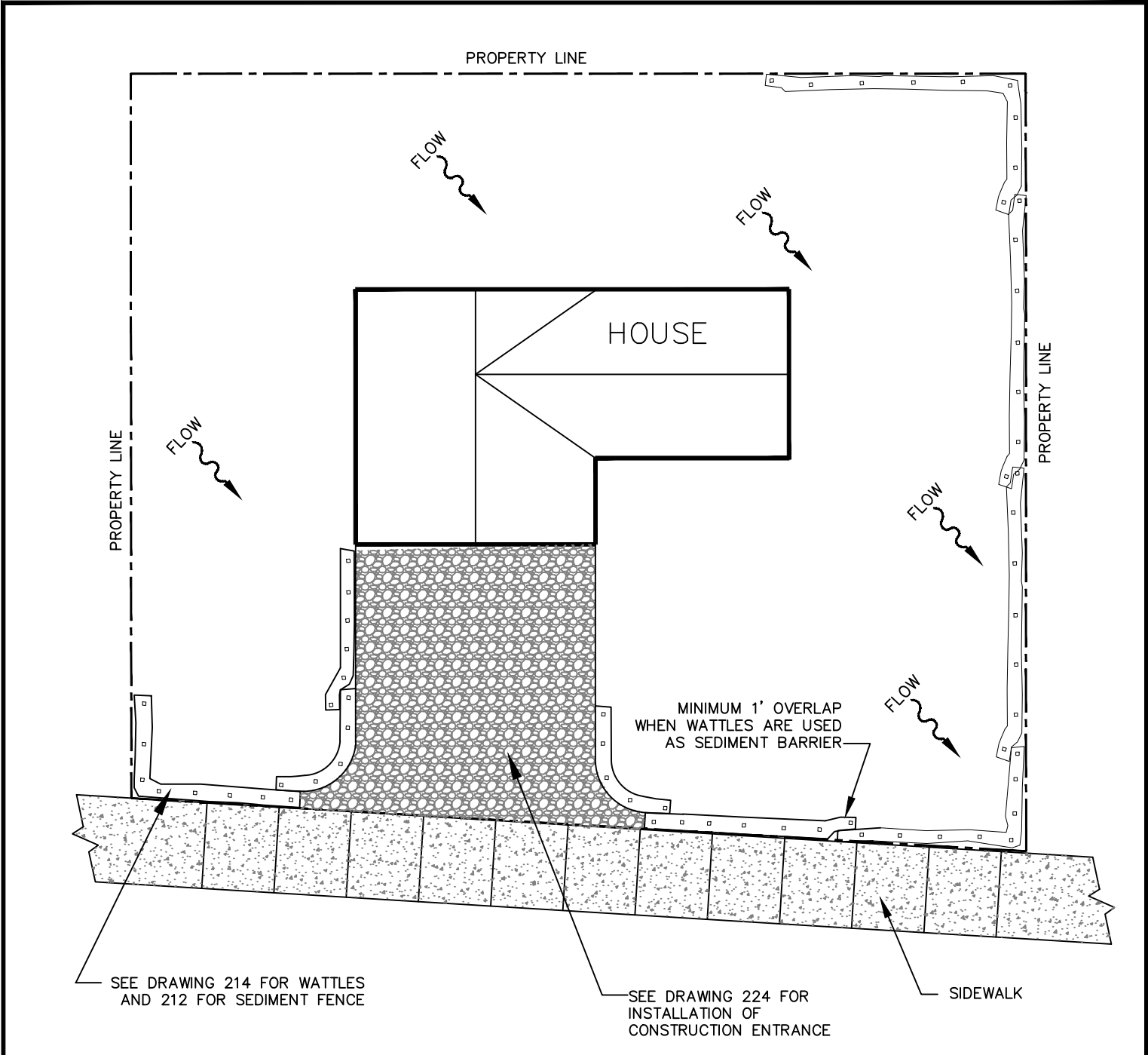
EROSION CONTROL STANDARD DRAWING

DISTRICT ENGINEER

NOTES:

1. WHENEVER RAINFALL AND RUNOFF OCCUR, A KNOWLEDGEABLE AND EXPERIENCED PERSON IN THE PRINCIPLES, PRACTICES, INSTALLATION, AND MAINTENANCE OF EROSION AND SEDIMENT CONTROLS MUST PROVIDE DAILY INSPECTIONS OF BOTH THE CONTROLS AND PLACES WHERE WATER FLOWS OUT OF THE SITE. THIS PERSON SHALL WORKS FOR THE PERMITTEE.
2. CONSTRUCTION ACTIVITIES MUST AVOID OR MINIMIZE EXCAVATION AND CREATION OF BARE GROUND DURING THE WET WEATHER PERIOD, BETWEEN OCTOBER 1 AND MAY 31. ALL EXPOSED SOILS MUST BE COVERED AT END OF BUSINESS DAY DURING THE WET WEATHER PERIOD.
3. DURING THE WET WEATHER PERIOD, TEMPORARY STABILIZATION OF THE SITE MUST OCCUR AT THE END OF EACH WORKDAY.
4. SEDIMENT CONTROLS MUST BE INSTALLED AND MAINTAINED ON ALL DOWNHILL SIDES OF THE CONSTRUCTION SITE AT ALL TIMES DURING CONSTRUCTION. THEY MUST REMAIN IN PLACE UNTIL PERMANENT VEGETATION OR OTHER PERMANENT COVERING OF EXPOSED SOIL IS ESTABLISHED.
5. ALL INLETS MUST HAVE SEDIMENT CONTROLS INSTALLED AND MAINTAINED AT ALL TIMES DURING CONSTRUCTION.
6. SIGNIFICANT AMOUNTS OF SEDIMENT THAT LEAVES THE SITE MUST BE CLEANED UP WITHIN 24 HOURS AND EITHER PLACED BACK ON THE SITE AND STABILIZED OR DISPOSED OF PROPERLY. THE CAUSE OF THE SEDIMENT RELEASE MUST BE FOUND AND PREVENTED FROM CAUSING A RECURRENCE OF EROSION DISCHARGE WITHIN THE SAME 24 HOURS. ANY IN-STREAM CLEAN UP OF SEDIMENT SHALL BE PREFORMED ACCORDING TO THE OREGON DEPARTMENT OF STATE LANDS REQUIRED TIME FRAME.
7. SEDIMENT MUST NOT BE INTENTIONALLY WASHED INTO STORM SEWERS, DRAINAGE WAYS, OR WATER BODIES.
8. SEDIMENT MUST BE REMOVED FROM BEHIND ALL SEDIMENT CONTROL MEASURES WHEN IT HAS REACHED A HEIGHT OF ONE THIRD THE BARRIER HEIGHT AND PRIOR TO THE CONTROL MEASURE'S REMOVAL.
9. ALL STRUCTURES WITH SUMPS MUST BE CLEANED WHEN THE SEDIMENT RETENTION CAPACITY HAS REACHED 50% AND ALSO AT COMPLETION OF THE PROJECT.
10. ANY USE OF TOXIC OR OTHER HAZARDOUS MATERIALS MUST INCLUDE PROPER STORAGE, APPLICATION, AND DISPOSAL.
11. THE PERMITTEE MUST PROPERLY MANAGE HAZARDOUS WASTES, OILS, CONTAMINATED SOILS, CONCRETE WASTE, SANITARY WASTE, LIQUID WASTE, AND OTHER TOXIC SUBSTANCES DISCOVERED OR GENERATED DURING CONSTRUCTION.
12. THE APPLICATION RATE OF FERTILIZERS USED TO REESTABLISH VEGETATION MUST FOLLOW MANUFACTURER'S RECOMMENDATIONS. NUTRIENT RELEASES FROM FERTILIZERS TO SURFACE WATERS MUST BE MINIMIZED. TIME RELEASE FERTILIZERS SHOULD BE USED AND CARE SHOULD BE MADE IN APPLICATION OF FERTILIZERS WITHIN THE RIPERIAN ZONE OF ANY WATERWAY.
13. OWNER OR DESIGNATED PERSON SHALL BE RESPONSIBLE FOR PROPER INSTALLATION AND MAINTENANCE OF ALL EROSION AND SEDIMENT CONTROL MEASURES IN ACCORDANCE WITH CURRENT DISTRICT STANDARDS AND COUNTY, STATE, AND FEDERAL REGULATIONS.
14. PRIOR TO ANY LAND DISTURBING ACTIVITIES, THE BOUNDARIES OF THE CLEARING LIMITS, VEGETATED BUFFERS, AND ANY SENSITIVE AREAS SHOWN ON THIS PLAN SHALL BE CLEARLY DELINEATED IN THE FIELD. UNLESS OTHERWISE APPROVED, NO DISTURBANCE IS PERMITTED BEYOND THE CLEARING LIMITS. THE OWNER/PERMITTEE MUST MAINTAIN THE DELINEATION FOR THE DURATION OF THE PROJECT. NOTE: VEGETATED CORRIDORS MUST BE DELINEATED WITH ORANGE CONSTRUCTION FENCE OR APPROVED EQUAL.
15. PRIOR TO ANY LAND DISTURBING ACTIVITIES, THE MINIMUM CONTROL MEASURES THAT MUST BE INSTALLED ARE GRAVEL CONSTRUCTION ENTRANCE, PERIMETER SEDIMENT CONTROL, AND INLET PROTECTION WHERE INLETS ARE PRESENT. AS SOON AS LAND DISTURBING ACTIVITIES START, SOIL PILES MUST BE PROPERLY COVERED. ALL THESE MEASURES MUST BE MAINTAINED FOR THE DURATION OF THE PROJECT.
16. IF VEGETATIVE SEED MIXES ARE SPECIFIED, SEEDING MUST TAKE PLACE BEFORE SEPTEMBER 1.
17. WATERTIGHT TRUCKS MUST BE USED TO TRANSPORT SATURATED SOILS FROM THE CONSTRUCTION SITE. AN APPROVED EQUIVALENT IS TO DRAIN THE SOIL ON SITE AT A DESIGNATED LOCATION USING APPROPRIATE BMPS; SOIL MUST BE DRAINED SUFFICIENTLY FOR MINIMAL SPILLAGE.
18. ALL PUMPING OF SEDIMENT LADEN WATER MUST BE DISCHARGED OVER AN UNDISTURBED VEGETATED AREA, AND THROUGH A SEDIMENT CONTROL BMP (SUCH AS FILTER BAGS).
19. THE EROSION AND SEDIMENT CONTROL PLAN MUST BE KEPT ONSITE. ALL MEASURES SHOWN ON THE PLAN MUST BE INSTALLED PROPERLY TO ENSURE THAT SEDIMENT LADEN WATER DOES NOT ENTER A SURFACE WATER SYSTEM, ROADWAY, OR OTHER PROPERTIES.
20. WRITTEN EROSION AND SEDIMENT CONTROL LOGS ARE SUGGESTED TO BE MAINTAINED ONSITE AND AVAILABLE TO DISTRICT INSPECTORS UPON REQUEST.
21. THE EROSION AND SEDIMENT CONTROL MEASURES SHOWN ON THIS PLAN ARE THE MINIMUM REQUIREMENTS FOR ANTICIPATED SITE CONDITIONS. DURING THE CONSTRUCTION PERIOD, THESE MEASURES SHALL BE UPGRADED AS NEEDED TO MAINTAIN COMPLIANCE WITH ALL REGULATIONS.
22. IN AREAS SUBJECT TO WIND EROSION, APPROPRIATE BMPS MUST BE USED, WHICH MAY INCLUDE THE APPLICATION OF FINE WATER SPRAYING, PLASTIC SHEETING, MULCHING, OR OTHER APPROVED MEASURES.

 <p>EROSION CONTROL STANDARD DRAWING</p>	<p>STANDARD EROSION CONTROL NOTES FOR SITES LESS THAN ONE ACRE</p>				<p>DRAWING NO. 202</p>
	NO.	REVISIONS	DATE	BY	APPROVED
1					
2					
3					
4				DISTRICT ENGINEER	
					DATE: 02/18/2020
					SCALE: NTS

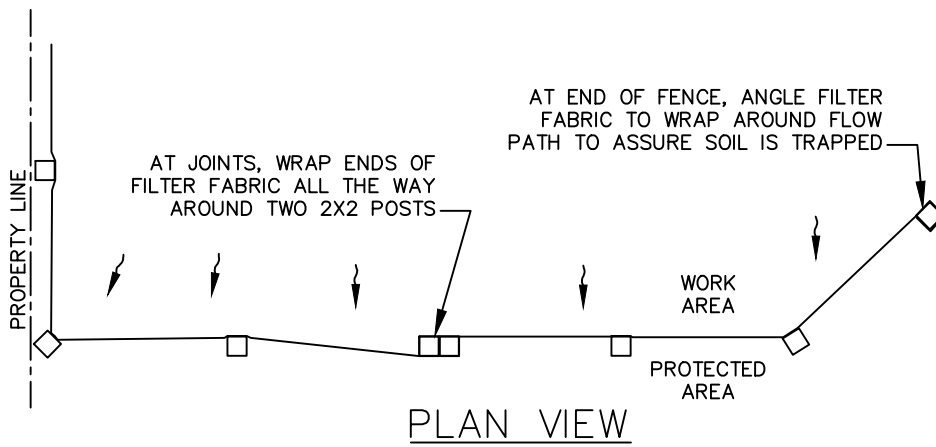


PLAN VIEW

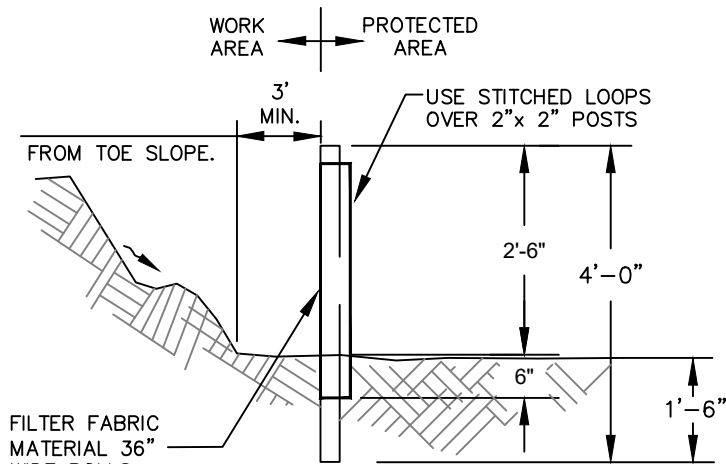
NOTE:

1. INSTALL SEDIMENT BARRIERS ON DOWNHILL SIDE OF CONSTRUCTION AREA AND ALONG PROPERTY LINES THAT CAN BE AFFECTED BY CONSTRUCTION.
2. ON THIS DRAWING, STRAW WATTLES ARE SHOWN AS THE SEDIMENT BARRIER PROTECTING A SINGLE FAMILY RESIDENTIAL HOME. OTHER APPROVED SEDIMENT BARRIERS, SUCH AS SEDIMENT FENCES, MAY BE USED INSTEAD OF WATTLES.

NO.	REVISIONS	DATE	BY	APPROVED
1				
2				
3				
4				DISTRICT ENGINEER



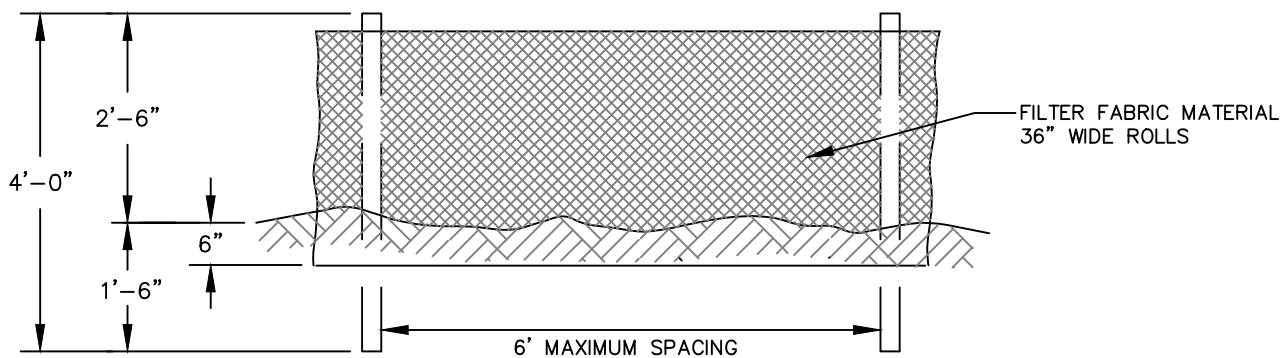
PLAN VIEW



SECTION

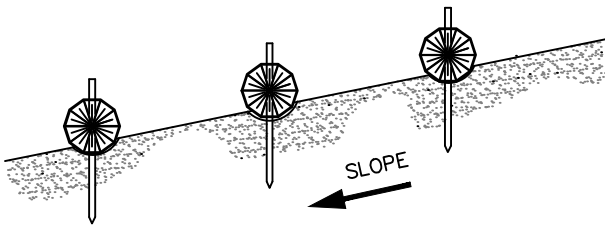
NOTES:

1. SEDIMENT FENCE TO HAVE STITCHED LOOPS AROUND 2" x 2" POSTS.
2. BURY BOTTOM OF FILTER FABRIC 6" VERTICALLY BELOW FINISHED GRADE.
3. 2" x 2" FIR, PINE OR STEEL FENCE POSTS.
4. COMPACT BOTH SIDES OF FILTER FABRIC TRENCH.



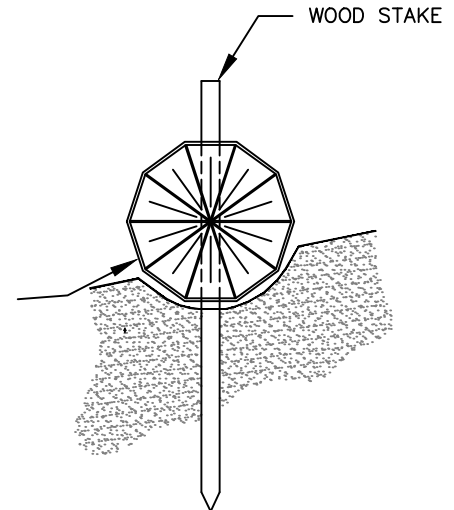
FRONT VIEW

NO.	REVISIONS	DATE	BY	APPROVED
1				
2				
3				
4				DISTRICT ENGINEER



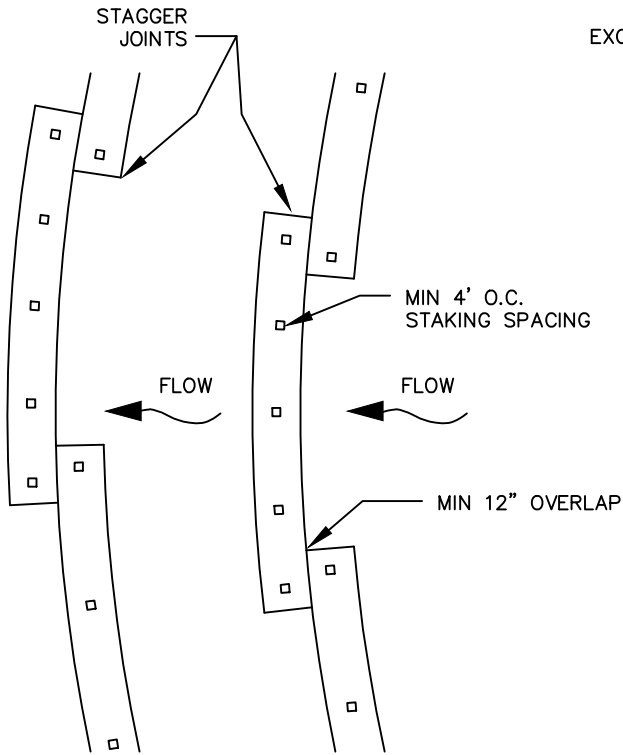
PLACE WATTLES ALONG SLOPE CONTOURS.

PROFILE



SECTION

WHEAT STRAW, RYE
GRASS STRAW,
COCONUT OR
EXCELSIOR WATTLES

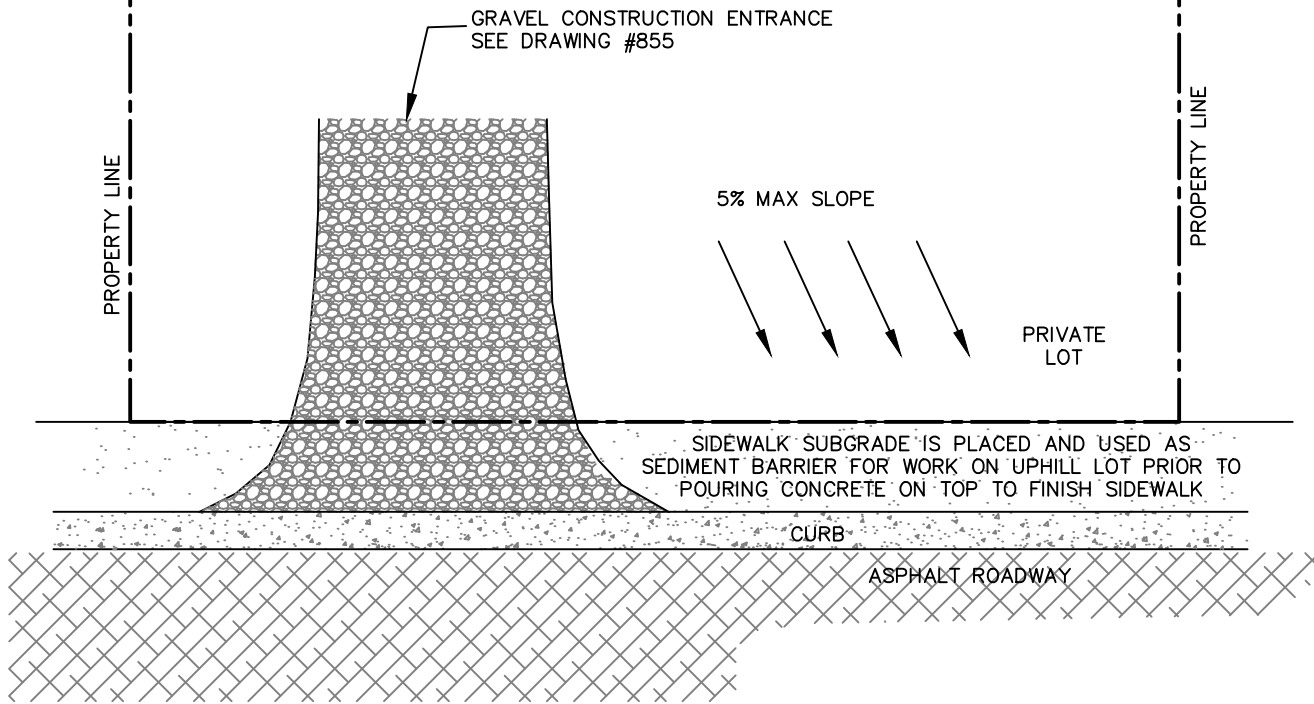


PLAN VIEW

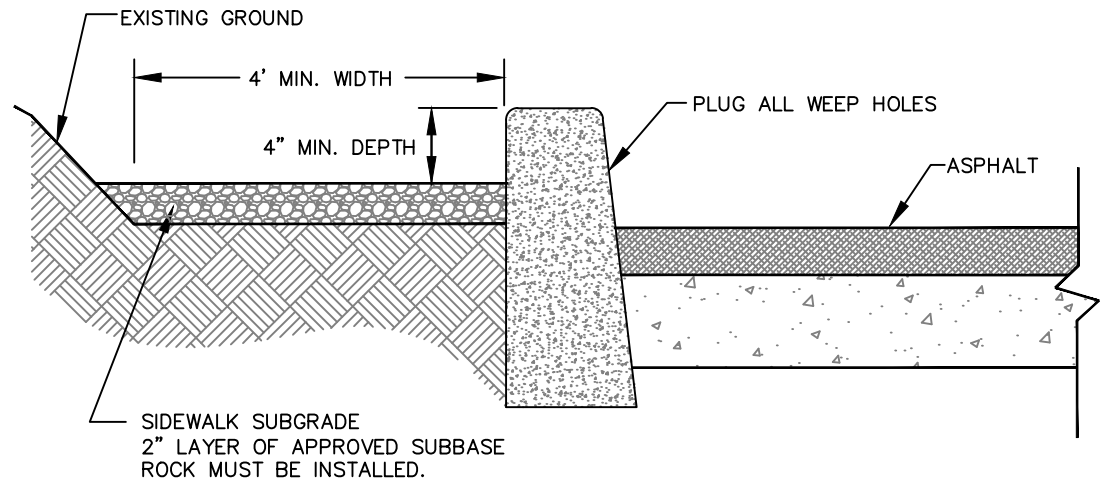
NOTES:

1. STAKING SPECIFICATIONS:
1"x2" WOODEN STAKES. MINIMUM STAKING AS SHOWN ON THIS DRAWING. ADDITIONAL STAKES MAY BE NEEDED ON DOWNHILL SIDE OF WATTLES, ON STEEP SLOPE, OR IN HIGHLY EROSIIVE SOILS.
2. REMOVE ROCKS, CLODS, VEGETATION AND OTHER GROUND PROTRUSIONS SO THAT INSTALLED WATTLES HAVE DIRECT CONTACT WITH SOIL ALONG THEIR ENTIRE LENGTH.
3. INSTALL THE WATTLES IN A 2" DEEP TRENCH, INSURING THAT NO GAPS EXIST BETWEEN THE SOIL AND THE BOTTOM OF THE WATTLE. THE ENDS OF ADJACENT WATTLES SHALL BE OVERLAPPED AT LEAST 12 INCHES TO PREVENT SEDIMENT PASSING THROUGH THE FIELD JOINT.

NO.	REVISIONS	DATE	BY	APPROVED
1				
2				
3				
4				DISTRICT ENGINEER



PLAN VIEW

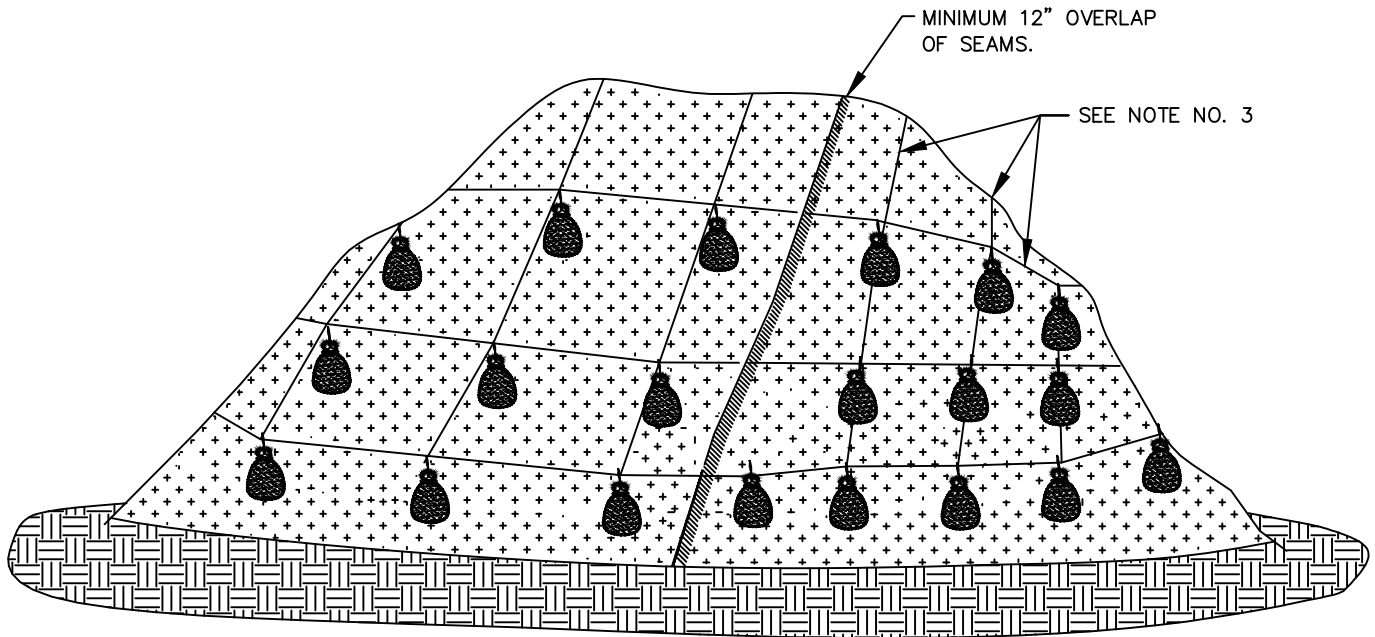


PROFILE

NOTE:

1. USING THE SIDEWALK SUBGRADE AS A SEDIMENT BARRIER IS ONLY APPLICABLE WHEN SIDEWALK AND LOT ARE BEING CONSTRUCTED SIMULTANEOUSLY AND CONSTRUCTION IS SEQUENCED TO KEEP THE LOT PROTECTED THROUGH THE FULL DURATION OF CONSTRUCTION.

NO.	REVISIONS	DATE	BY	APPROVED
1				
2				
3				
4				DISTRICT ENGINEER



PLASTIC SHEETING

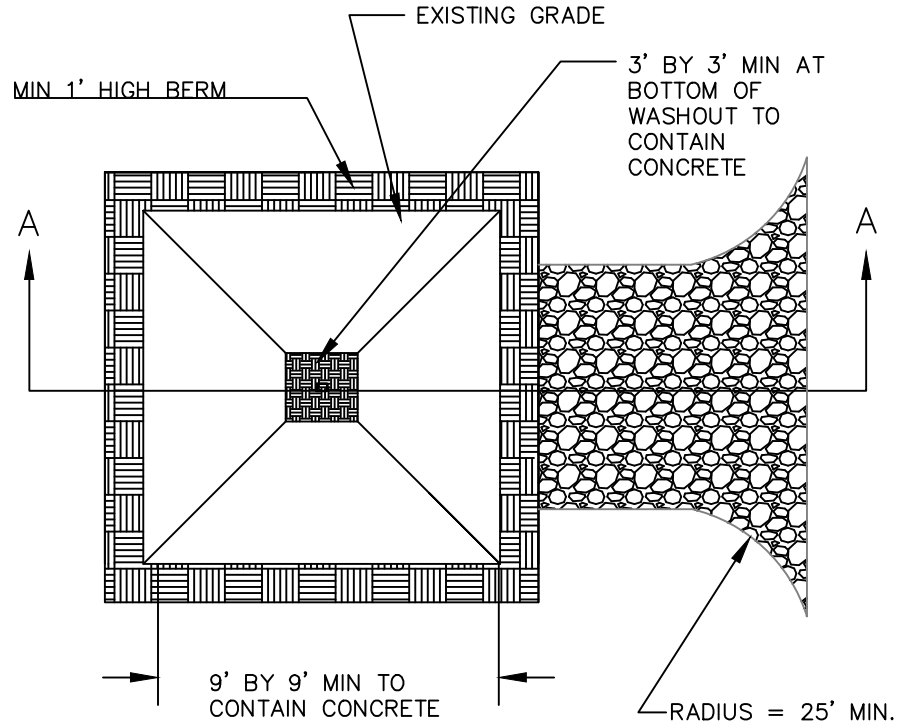
NOTES:

1. MINIMUM 12" OVERLAP OF ALL SEAMS.
2. PLASTIC TO EXTEND MINIMUM 1' BEYOND TOE OF STOCKPILE..
3. PERIMETER SEDIMENT CONTROL TO BE INSTALLED WITHIN 3' FROM TOE OF STOCKPILE.
4. WEIGH COVERING DOWN WITH SANDBAGS OR SIMILAR WEIGHT ON ROPES WITH A MAXIMUM GRID SPACING OF 10' IN ALL DIRECTIONS.

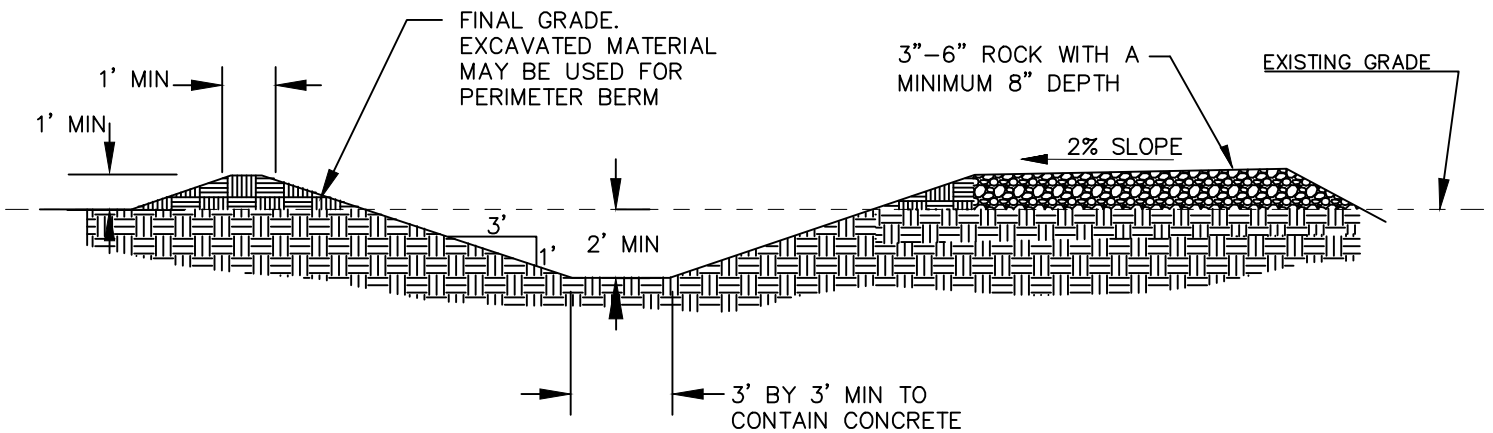
NO.	REVISIONS	DATE	BY	APPROVED
1				
2				
3				
4				DISTRICT ENGINEER

NOTES:

1. WASHOUT FACILITIES SHALL BE MAINTAINED TO PROVIDE ADEQUATE HOLDING CAPACITY WITH A MINIMUM FREEBOARD OF 12 INCHES.
2. WASHOUT FACILITIES MUST BE CLEANED, OR NEW FACILITIES MUST BE CONSTRUCTED AND READY FOR USE ONCE THE WASHOUT IS 75% FULL.
3. IF THE WASHOUT IS NEARING CAPACITY, CLEAN AND DISPOSE OF THE WASTE MATERIAL IN AN APPROVED MANNER.
4. TEMPORARY CONCRETE WASHOUT FACILITIES SHALL BE LOCATED AT LEAST 50 FT FROM SENSITIVE AREAS INCLUDING OPEN DRAINAGE FACILITIES AND WATER SOURCES.
5. CONCRETE WASHOUT FACILITIES SHALL BE CONSTRUCTED AND MAINTAINED IN SUFFICIENT QUANTITY AND SIZE TO CONTAIN ALL LIQUID AND CONCRETE WASTE GENERATED BY WASHOUT OPERATIONS.
6. INSTALL CONCRETE WASHOUT SIGN WITHIN 30 FEET OF TEMPORARY CONCRETE WASHOUT FACILITY.
7. TEMPORARY CONCRETE WASHOUTS MAY BE A PREFABRICATED CONTAINER THAT IS PORTABLE AND REUSABLE IF APPROVED BY DISTRICT.

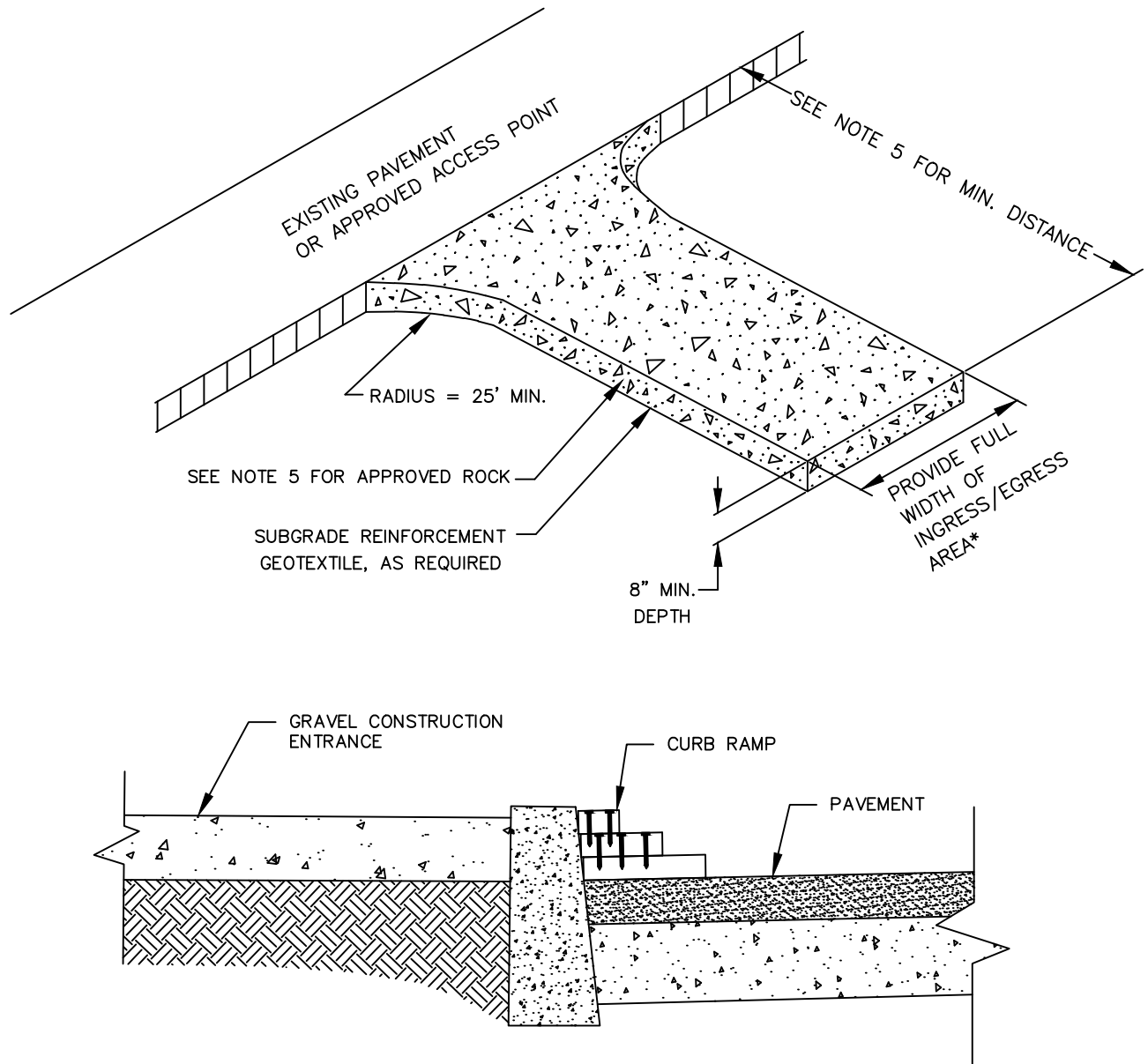


PLAN



SECTION A-A

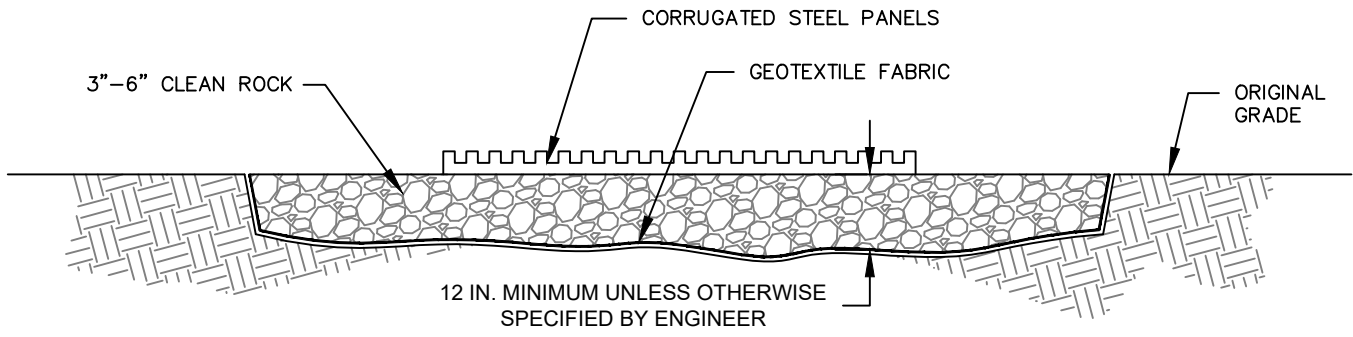
NO.	REVISIONS	DATE	BY	APPROVED
1				
2				
3				
4				DISTRICT ENGINEER



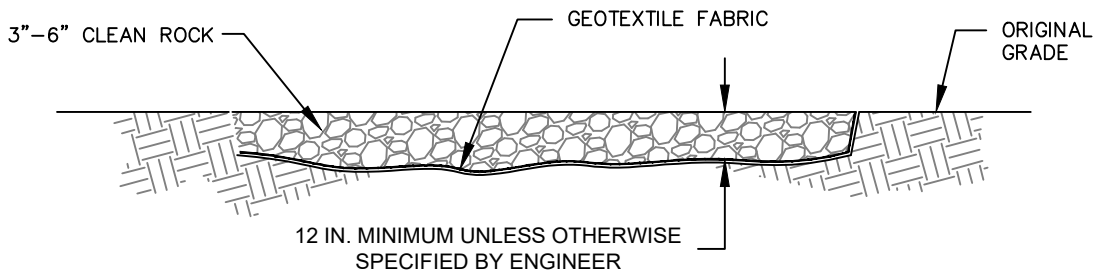
NOTES:

1. THE ENTRANCE SHALL BE MAINTAINED IN A CONDITION THAT WILL PREVENT TRACKING OR FLOWING OF SEDIMENT ONTO PUBLIC RIGHT-OF-WAYS. THIS MAY REQUIRE TOP DRESSING, REPAIR AND/OR CLEAN OUT OF ANY MEASURES USED TO TRAP SEDIMENT.
2. WHEN NECESSARY, WHEELS SHALL BE CLEANED PRIOR TO ENTRANCE ONTO PUBLIC RIGHT-OF- WAY.
3. WHEN WASHING IS REQUIRED, IT SHALL BE DONE ON AN AREA STABILIZED WITH CRUSHED STONE THAT DRAINS INTO AN APPROVED SEDIMENT TRAP OR SEDIMENT BASIN.
4. WHERE RUNOFF CONTAINING SEDIMENT LADEN WATER IS LEAVING THE SITE VIA THE CONSTRUCTION ENTRANCE, OTHER MEASURES SHALL BE IMPLEMENTED TO DIVERT RUNOFF THROUGH AN APPROVED FILTERING SYSTEM.
5. DIMENSIONS
SINGLE FAMILY
 20' LONG BY 20' WIDE 8" DEEP OF ¾" MINUS CLEAN ROCK.
COMMERCIAL/SITE DEVELOPMENT
 50' LONG BY 20' WIDE 3-6" CLEAN ROCK, GOVERNING AUTHORITY MAY REQUIRE GEOTEXTILE FABRIC TO PREVENT SUB-SOIL PUMPING.

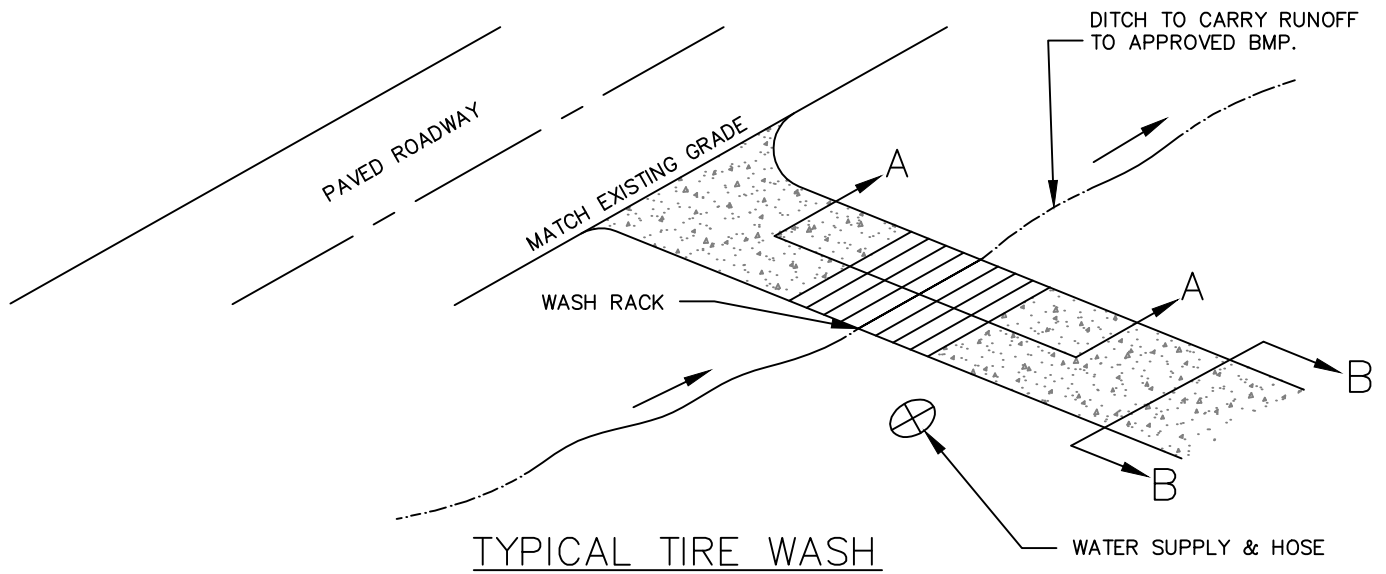
NO.	REVISIONS	DATE	BY	APPROVED
1				
2				
3				
4				DISTRICT ENGINEER



SECTION A-A



SECTION B-B

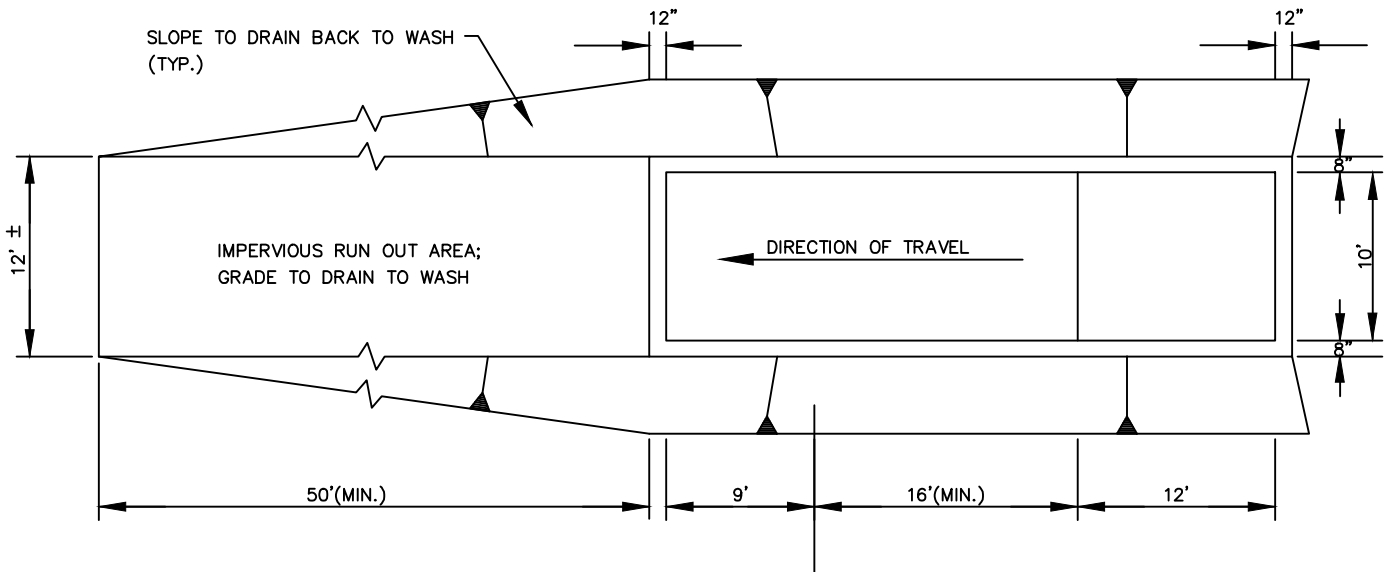


TYPICAL TIRE WASH

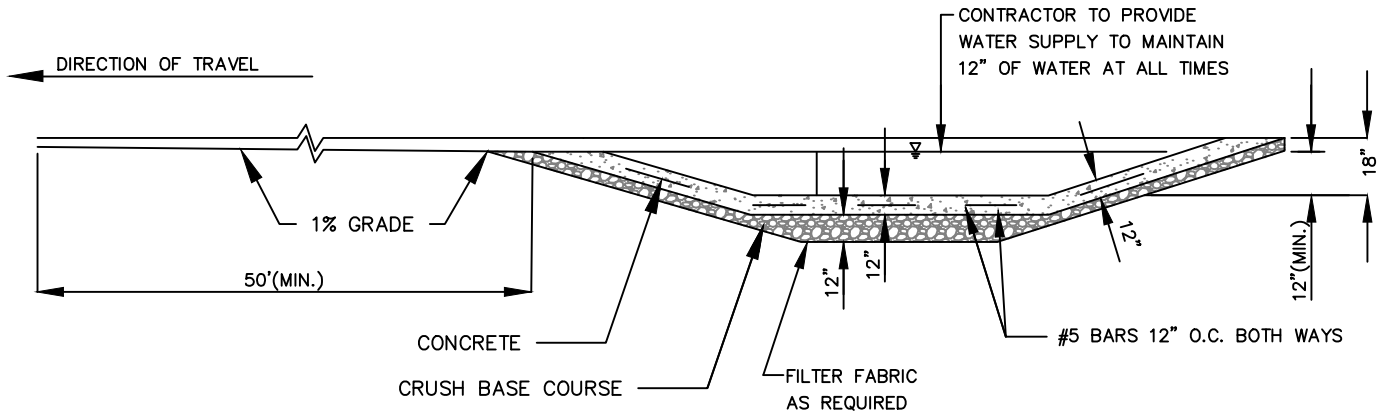
NOTE:

1. MANY DESIGNS CAN BE FIELD FABRICATED. PRE-FABRICATED UNITS MAY BE USED.

NO.	REVISIONS	DATE	BY	APPROVED
1				
2				
3				
4				DISTRICT ENGINEER



PLAN VIEW

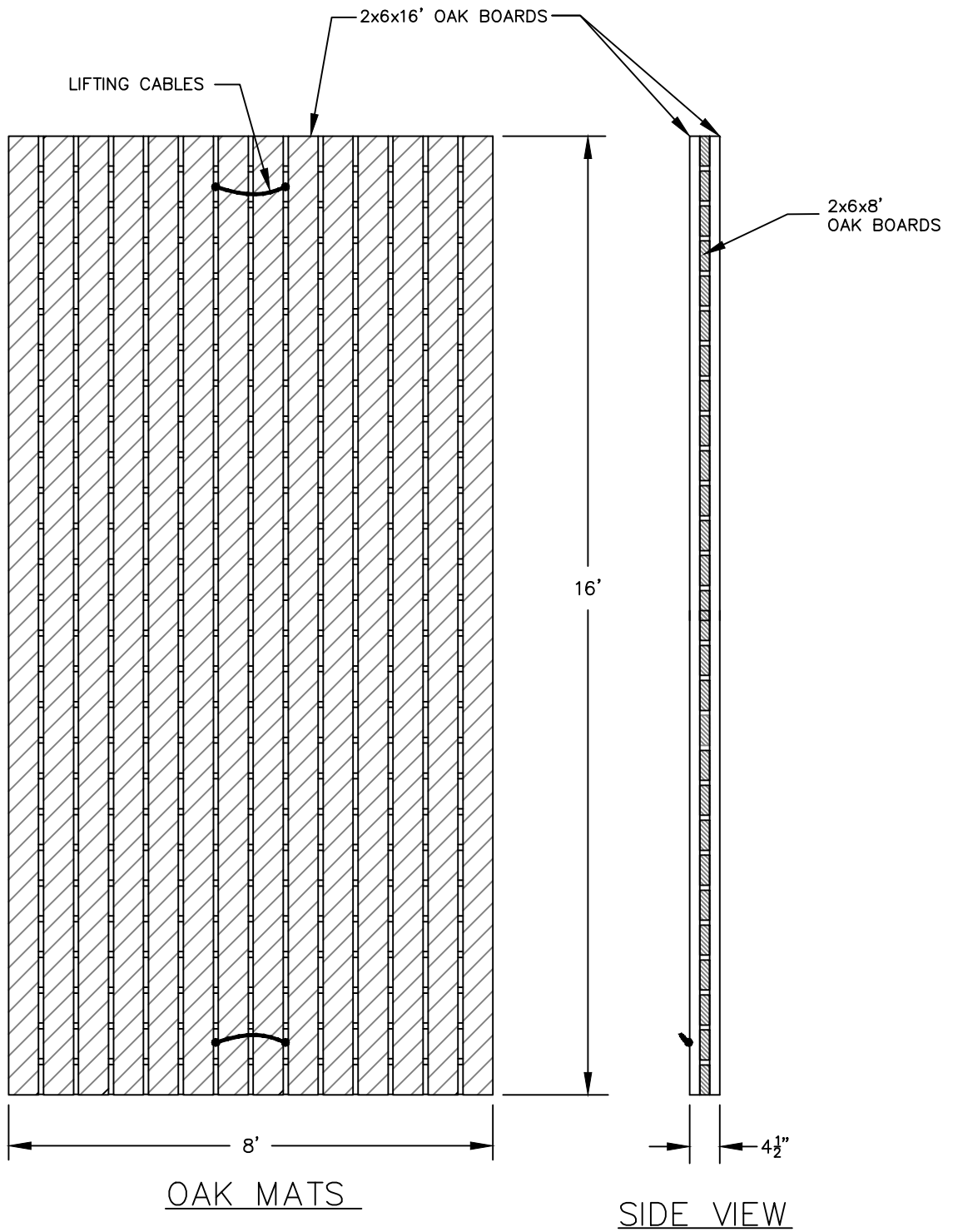


PROFILE

NOTES:

1. CONTRACTOR TO REMOVE ACCUMULATED SEDIMENT AS NEEDED TO PREVENT TRACKING FROM TIRE WASH; CONVEY SEDIMENT-LADEN WATER TO AN APPROVED BMP.
2. USE GEOTEXTILE FABRIC WITH AGGREGATE FOR A TEMPORARY TIRE WASH.

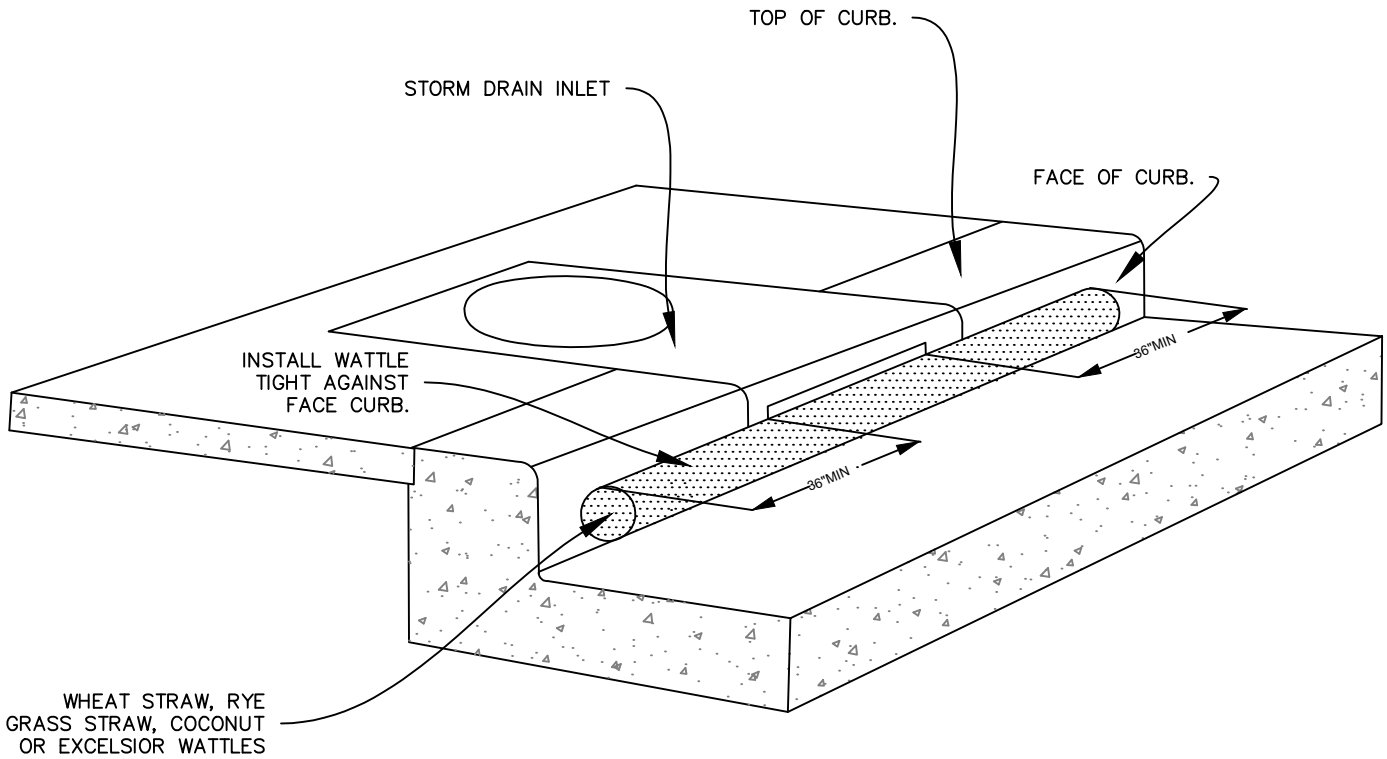
NO.	REVISIONS	DATE	BY	APPROVED
1				
2				
3				
4				DISTRICT ENGINEER



NOTES:

1. CONSTRUCTED OF 2x6 OAK.
2. ALTERNATE MATTING SYSTEMS TO BE APPROVED BY DISTRICT.

NO.	REVISIONS	DATE	BY	APPROVED
1				
2				
3				
4				DISTRICT ENGINEER

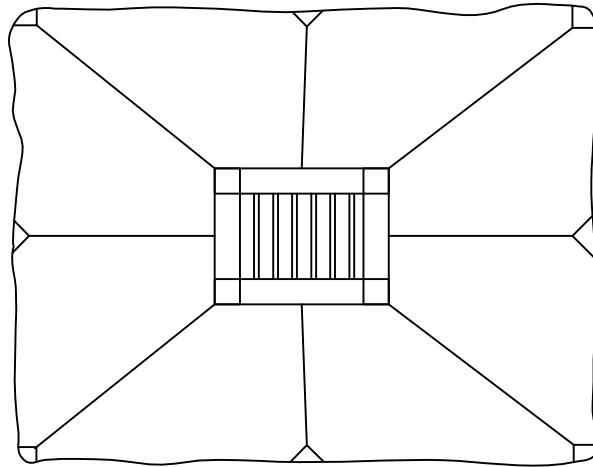
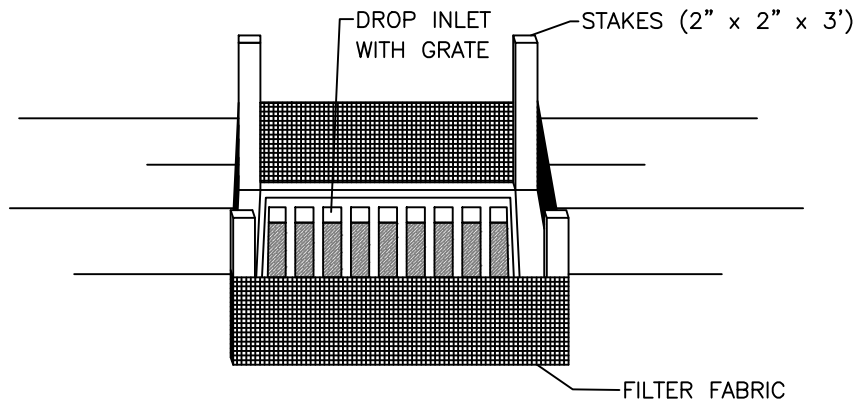


PERSPECTIVE VIEW SHOWING WATTLE
ALONG GUTTER AT CURB INLET

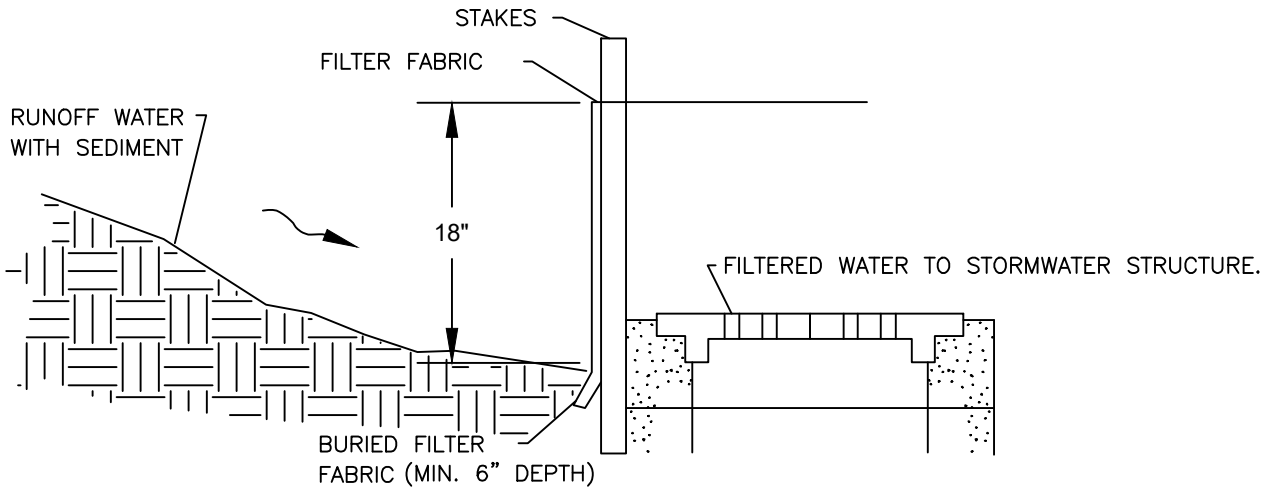
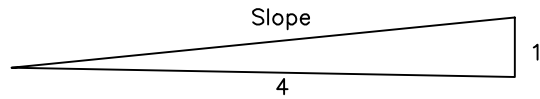
NOTES:

1. ONLY ALLOWED USE OF APPLICATION IS ON CURB AND GUTTER INLETS.
2. INSTALL WATTLE ALONG INLET WITH WATTLE EXTENDING A MIN OF 36" BEYOND INLET OPENINGS IN EACH DIRECTION.
3. WATTLE MUST BE INSTALLED TIGHTLY AGAINST CURB. MAY REQUIRE ADDITIONAL MEASURES TO ENSURE WATTLE REMAINS TIGHT AGAINST CURB, SUCH AS USING ZIP TIES TO SECURE WATTLE TO INLET'S TRASH BARS OR USING SANDBAGS TO WEIGHT DOWN WATTLE.
4. REPLACE WATTLE AS NECESSARY TO PREVENT SEDIMENT FROM ENTERING THE STORM SYSTEM.

NO.	REVISIONS	DATE	BY	APPROVED
1				
2				
3				
4				DISTRICT ENGINEER



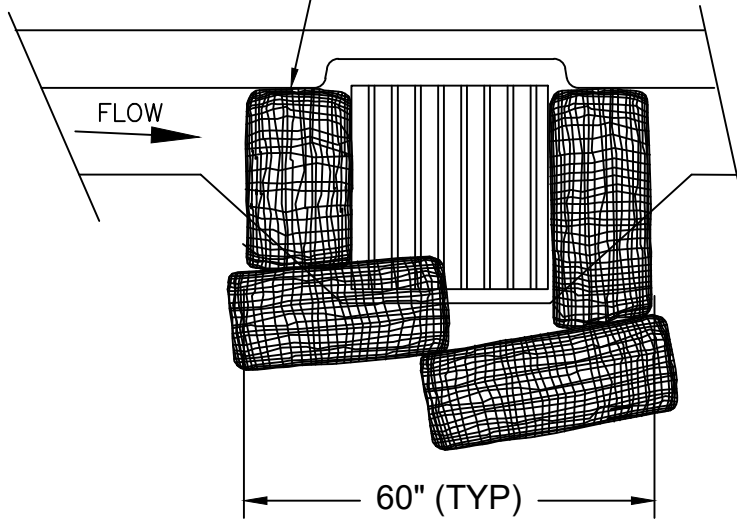
PLAN VIEW
Slope 4H:1V



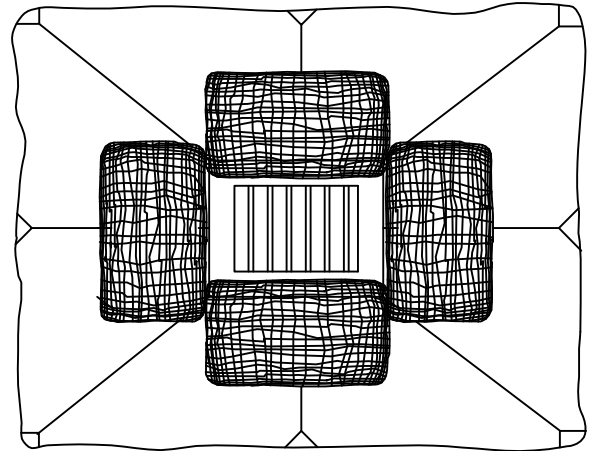
PROFILE

NO.	REVISIONS	DATE	BY	APPROVED
1				
2				
3				
4				DISTRICT ENGINEER

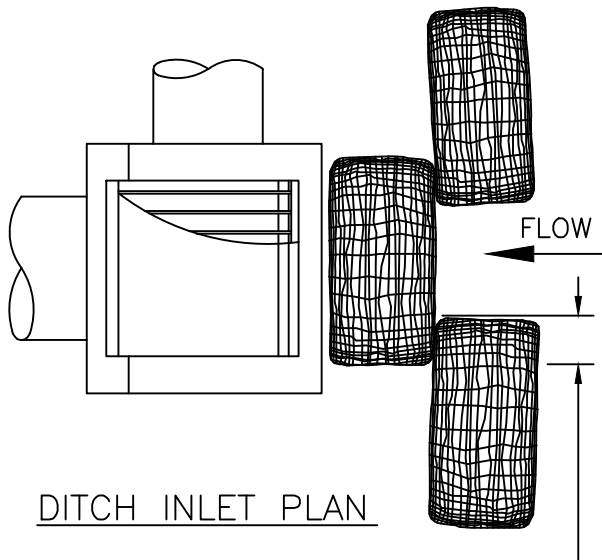
MAY BE USED SHORT TERM
W/ UTILITY WORK AND W/
PHASING OF DEVELOPMENT



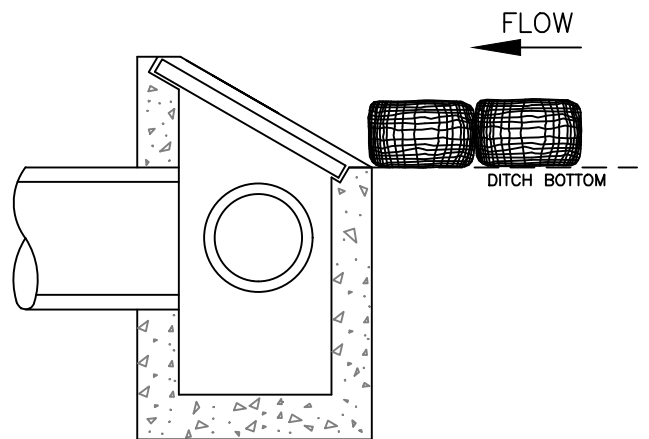
CATCH BASIN PLAN



AREA DRAIN PLAN



DITCH INLET PLAN



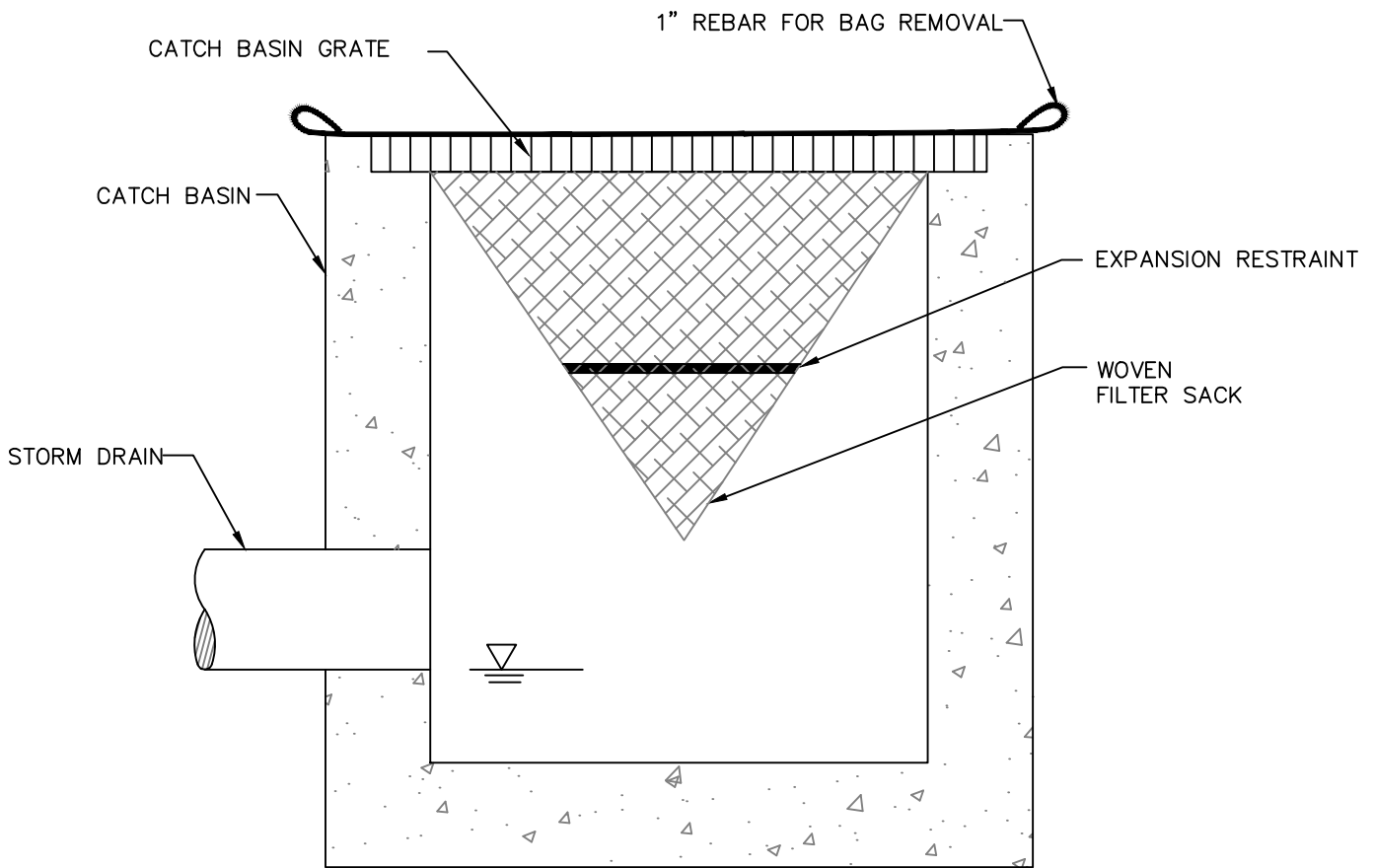
DITCH INLET SECTION

6" MIN OVERLAP OF BAGS,
TYP FOR ALL DRAIN INLET TYPES

NOTES:

1. ADDITIONAL MEASURES MUST BE CONSIDERED DEPENDING ON SOIL TYPES.
2. BIO-FILTER BAGS SHOULD BE STAKED WHERE APPLICABLE USING TWO 1"x2" WOODEN STAKES OR APPROVED EQUAL PER BAG.
3. WHEN USING 30" BIO-BAGS TO PROTECT A CATCH BASIN, USE FOUR BAGS OVERLAPPED BY 6 INCHES.

NO.	REVISIONS	DATE	BY	APPROVED
1				
2				
3				
4				DISTRICT ENGINEER



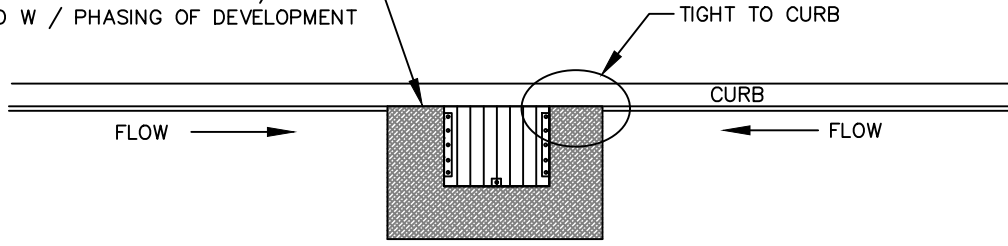
CATCH BASIN INSERT

NOTE:

1. RECESSED CURB INLET CATCH BASINS MUST BE BLOCKED WHEN USING FILTER FABRIC INLET SACKS. SIZE OF FILTER FABRIC INLET SACKS TO BE DETERMINED BY MANUFACTURER.

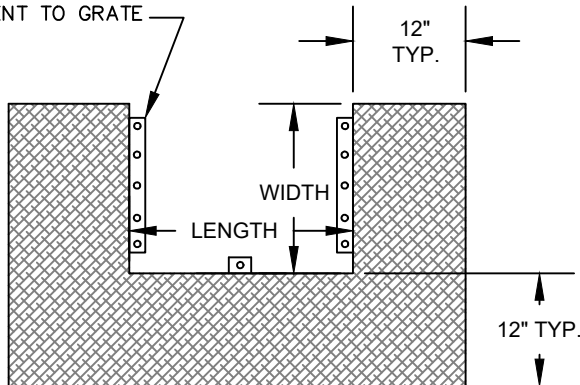
NO.	REVISIONS	DATE	BY	APPROVED
1				
2				
3				
4				DISTRICT ENGINEER

MAY BE USED SHORT TERM W / UTILITY WORK AND W / PHASING OF DEVELOPMENT

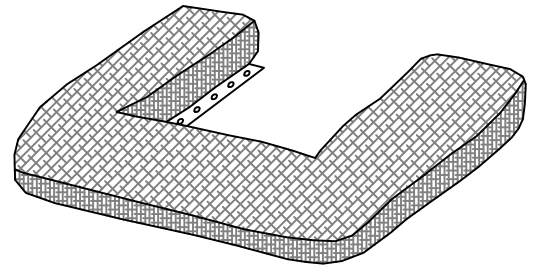


CATCH BASIN

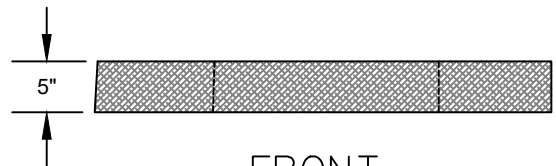
ZIP TIES USED FOR ATTACHMENT TO GRATE



TOP



ISOMETRIC



FRONT

INSTALLATION NOTES:

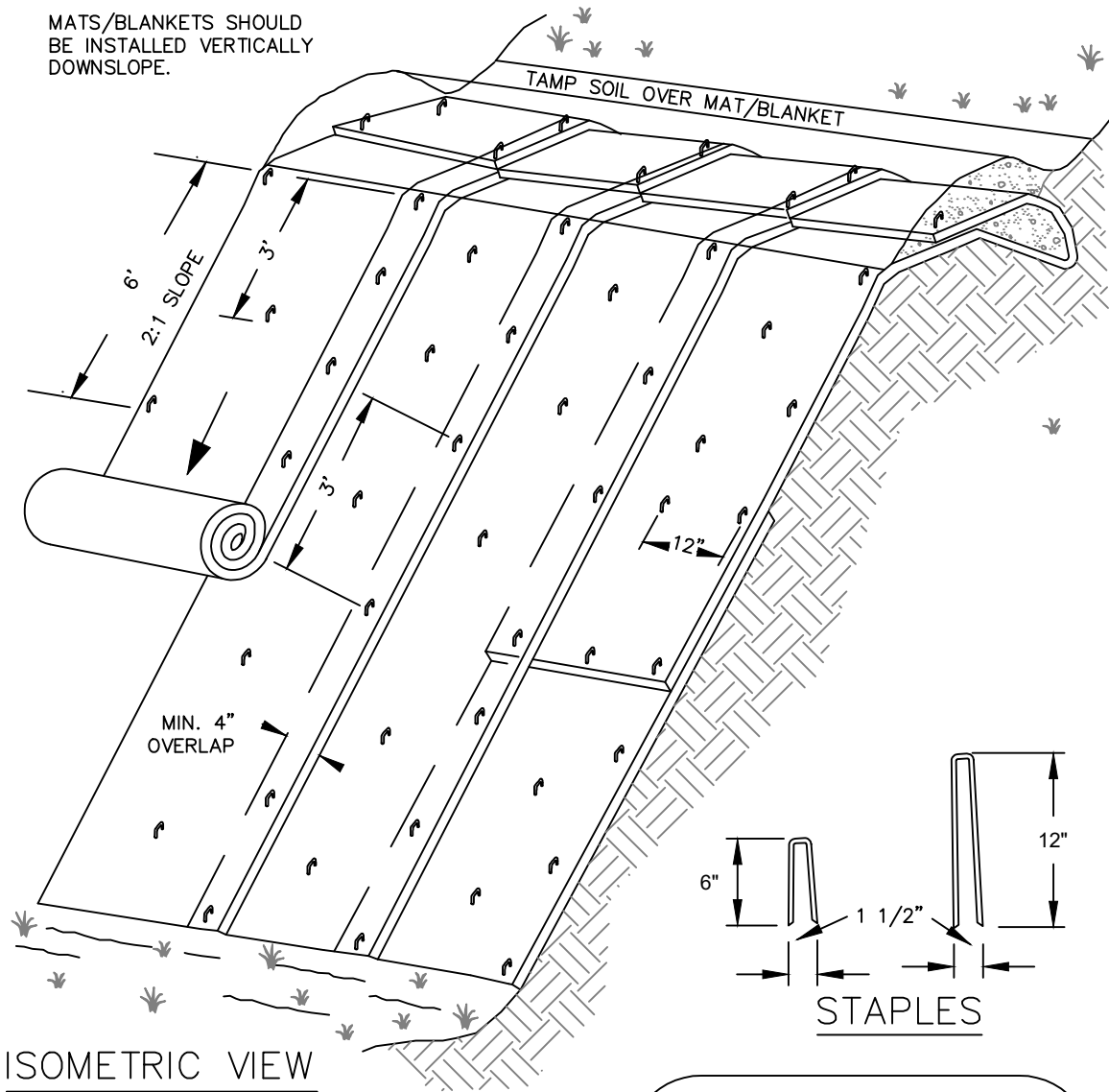
1. INSTALL SOLID FABRIC SIDE DOWN AND MESH SIDE UP.
2. ATTACH TO CATCH BASIN GRATE AT A MINIMUM OF 3 LOCATIONS TIGHT TO CURB WITH 1/4" WIDE ZIP TIES.

MAINTENANCE NOTES:

1. ANY VISIBLE SIGN OF SEDIMENT ACCUMULATION SHALL BE CLEANED UP AT THE END OF EACH WORKDAY.
2. REPLACE U – SHAPED FILTER BAG AS NECESSARY TO PREVENT WOOD CHIPS FROM ENTERING THE STORM SYSTEM.

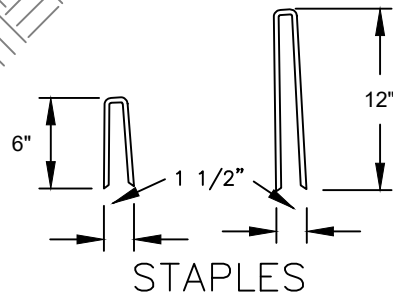
NO.	REVISIONS	DATE	BY	APPROVED
1				
2				
3				
4				DISTRICT ENGINEER

MATS/BLANKETS SHOULD BE INSTALLED VERTICALLY DOWNSLOPE.

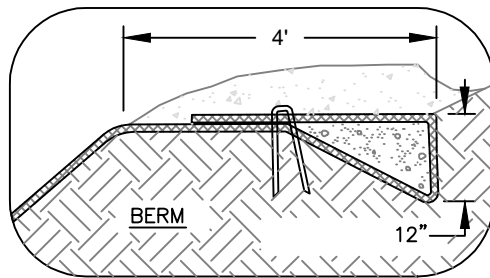


ISOMETRIC VIEW

TYPICAL SLOPE
SOIL STABILIZATION



STAPLES

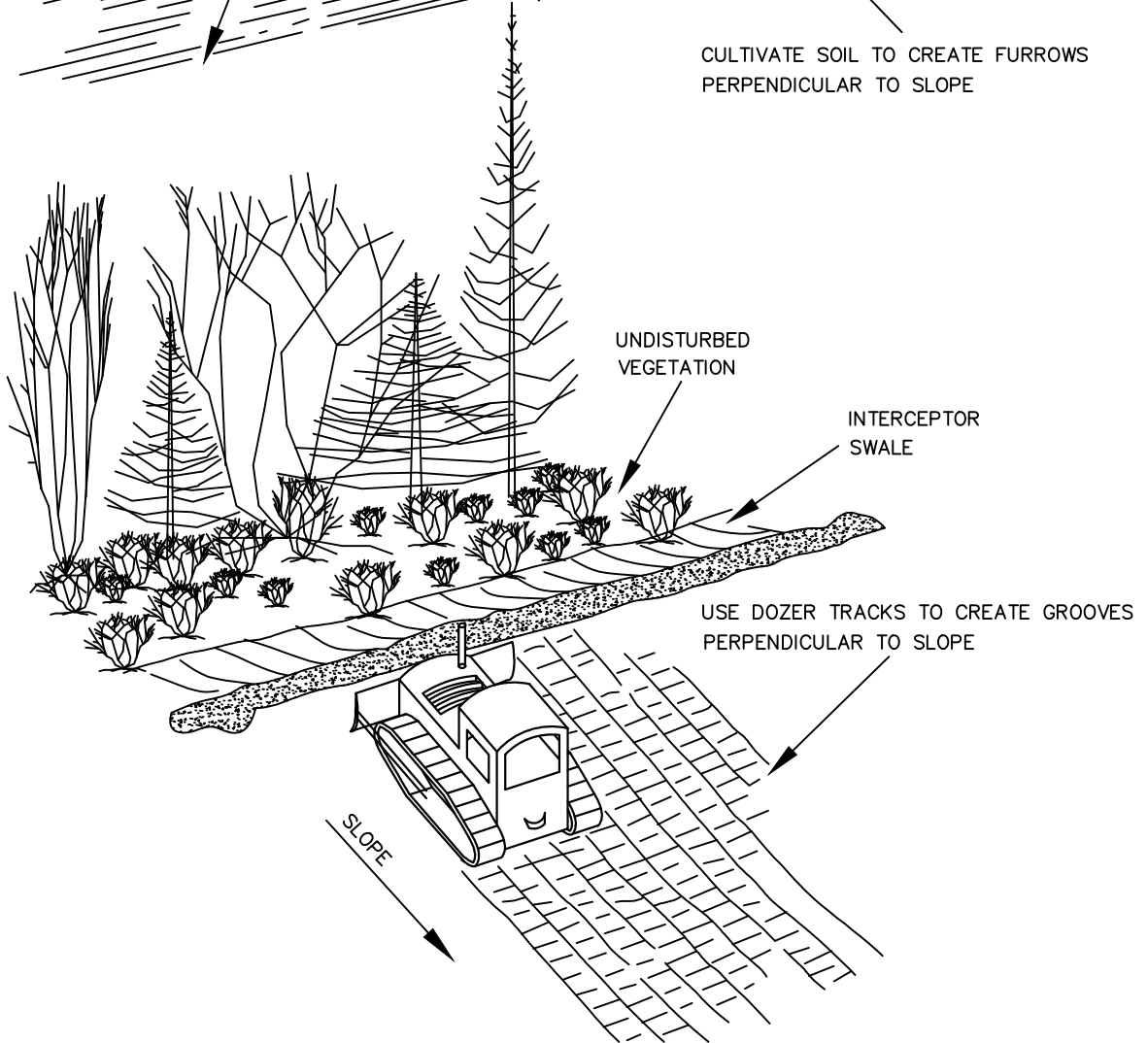
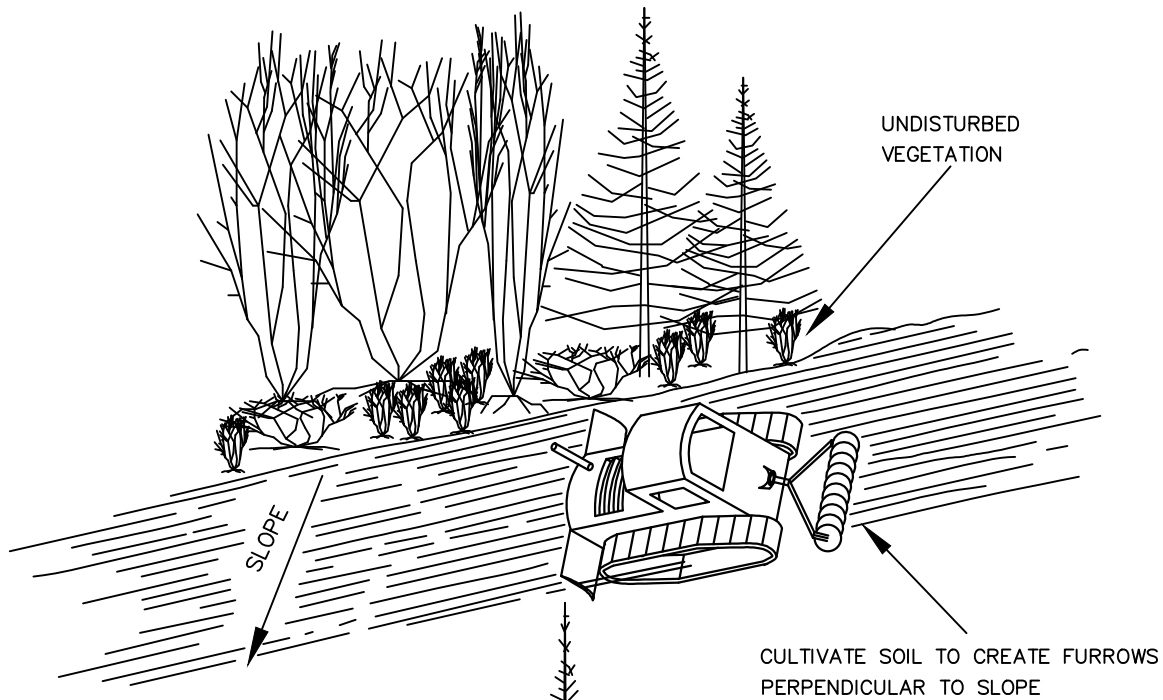


NOT TO SCALE

NOTES:

1. SLOPE SURFACE SHALL BE FREE OF ROCKS, CLODS, STICKS AND GRASS. MATS/BLANKETS SHALL HAVE GOOD SOIL CONTACT.
2. APPLY PERMANENT SEEDING BEFORE PLACING BLANKETS.
3. LAY BLANKETS LOOSELY AND STAKE OR STAPLE TO MAINTAIN DIRECT CONTACT WITH THE SOIL. DO NOT STRETCH.
4. STAKING OR STAPLING LAYOUT PER MANUFACTURERS SPECIFICATIONS.

NO.	REVISIONS	DATE	BY	APPROVED
1				
2				
3				
4				DISTRICT ENGINEER



**SLOPE PROTECTION
CAT TRACKING**

NO.	REVISIONS	DATE	BY	APPROVED
1				
2				
3				
4				DISTRICT ENGINEER

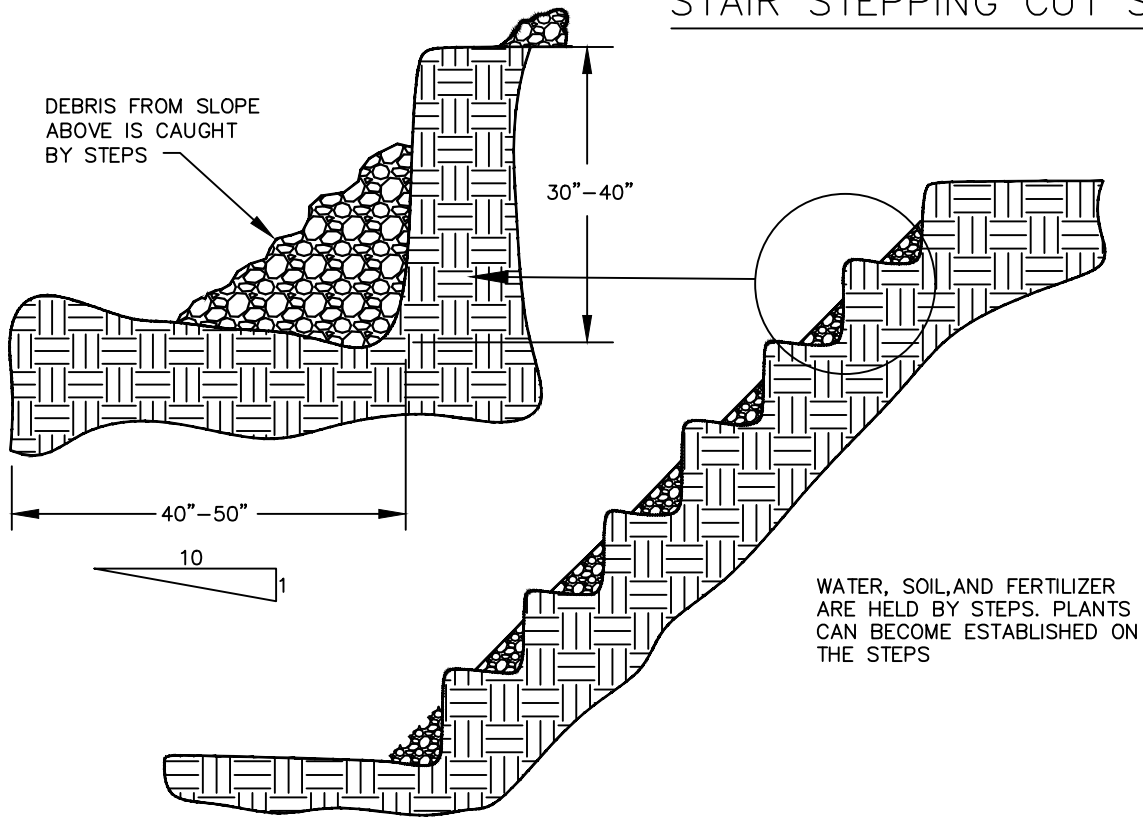
DRAWING NO.

242

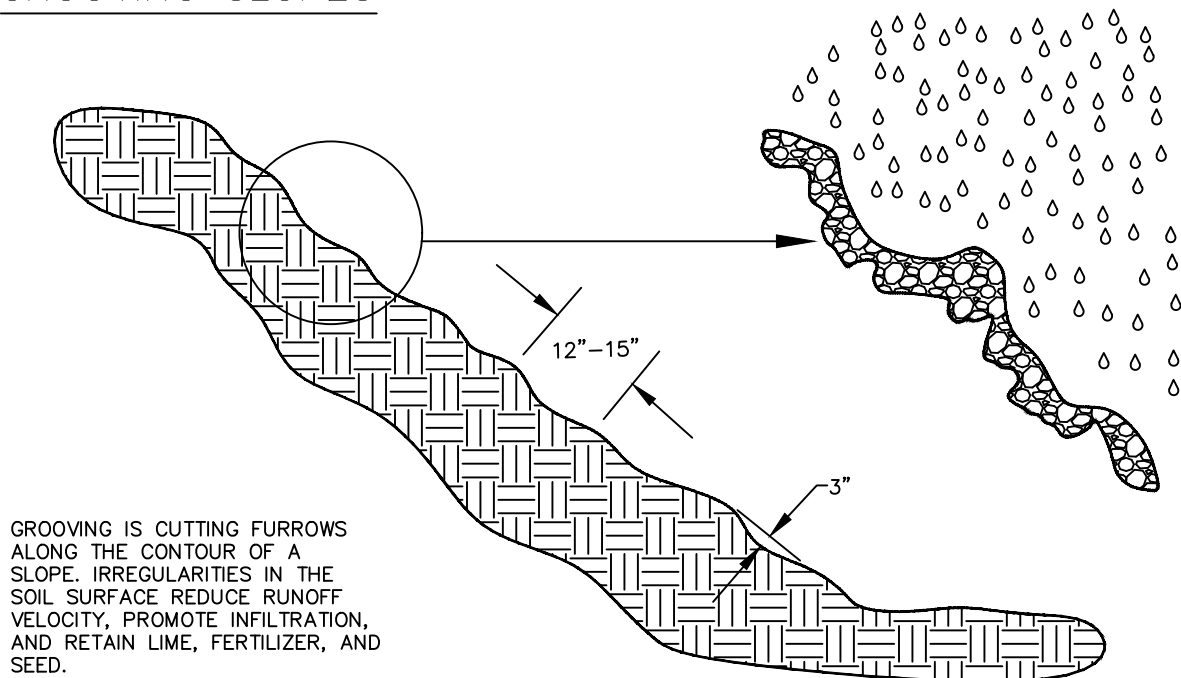
DATE: 02/18/2020

SCALE: NTS

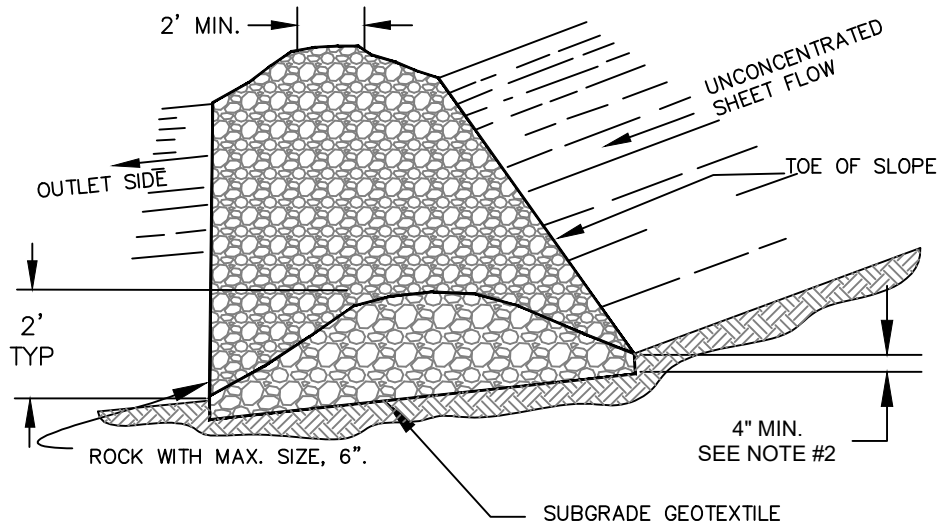
STAIR STEPPING CUT SLOPES



GROOVING SLOPES



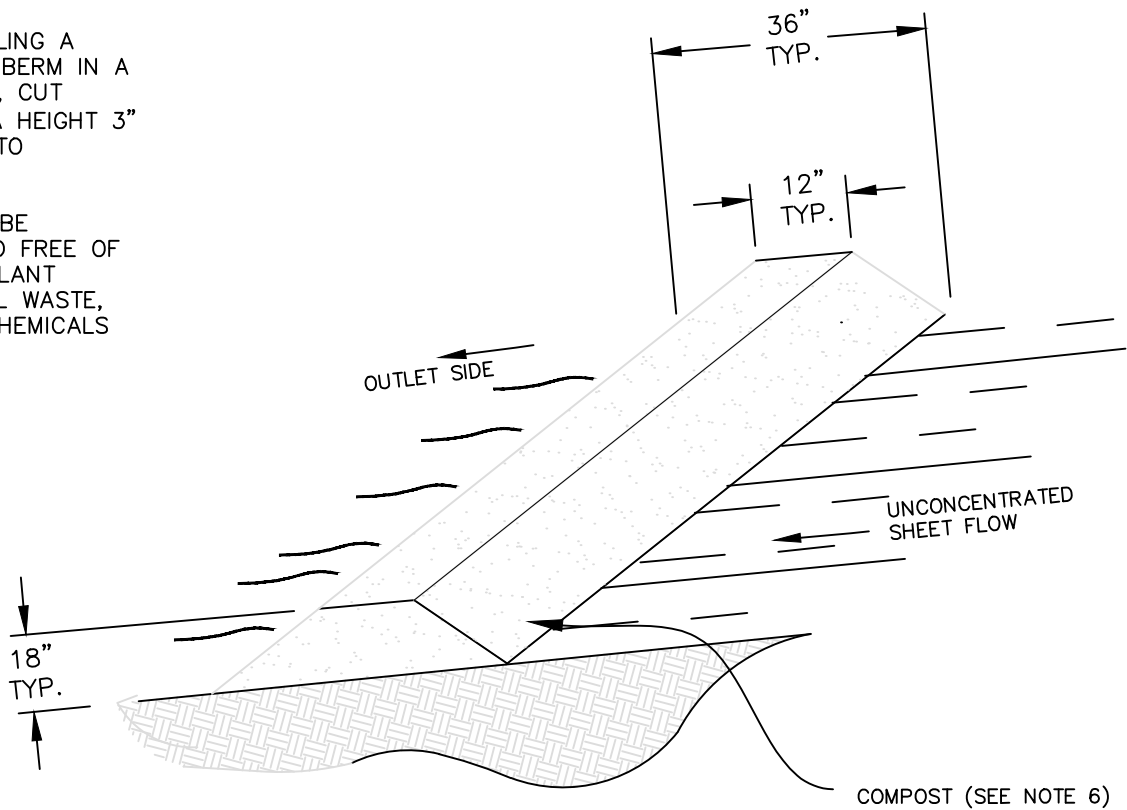
NO.	REVISIONS	DATE	BY	APPROVED
1				
2				
3				
4				DISTRICT ENGINEER



ROCK FILTER BERM

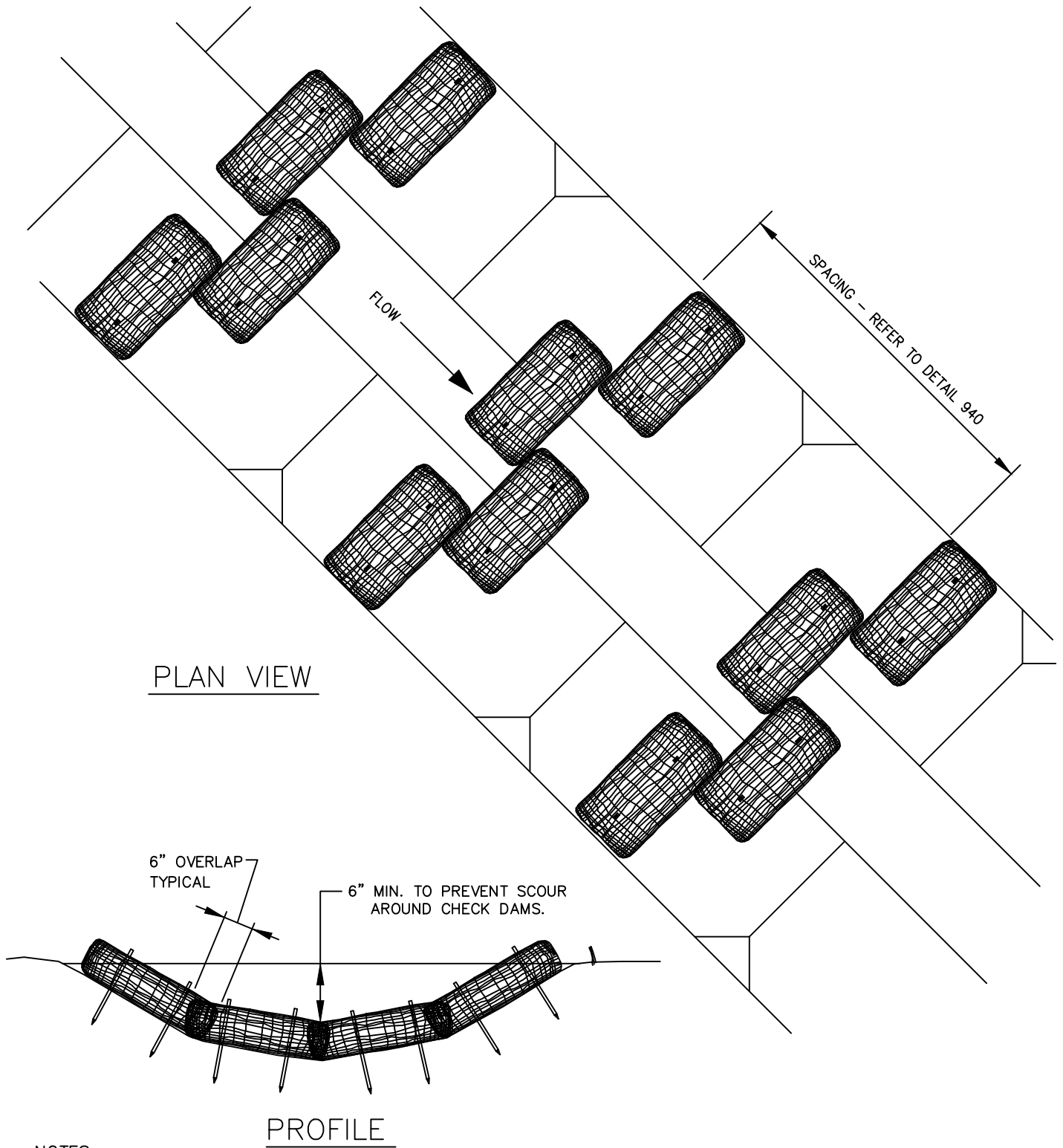
NOTES:

1. DIRECT THE OUTLET SIDE OF THE ROCK/COMPOST FILTER BERMS ONTO A STABILIZED AREA, SUCH AS LAWN, VEGETATION AND/OR ROCK
2. EMBED ROCK FILTER BERM A MIN. OF 4" INTO THE EXISTING GROUND/EMBANKMENT.
3. USE ROCK FILTER BERM ON 3H:1V OR FLATTER SIDE SLOPES. WITHIN SAFETY CLEAR ZONES, USE 6H:1V OR FLATTER SIDE SLOPES.
4. PLACE FILTER BERMS ALONG GROUND CONTOURS WITH ENDS TURNED UP SLOPE
5. PRIOR TO INSTALLING A COMPOST FILTER BERM IN A VEGETATED AREA, CUT VEGETATION TO A HEIGHT 3" OR LESS PRIOR TO INSTALLATION.
6. COMPOST SHALL BE DECOMPOSED AND FREE OF WEEDS, WOODY PLANT MATERIAL, ANIMAL WASTE, PLASTICS, AND CHEMICALS TREATMENTS.



COMPOST FILTER BERM

NO.	REVISIONS	DATE	BY	APPROVED
1				
2				
3				
4				DISTRICT ENGINEER



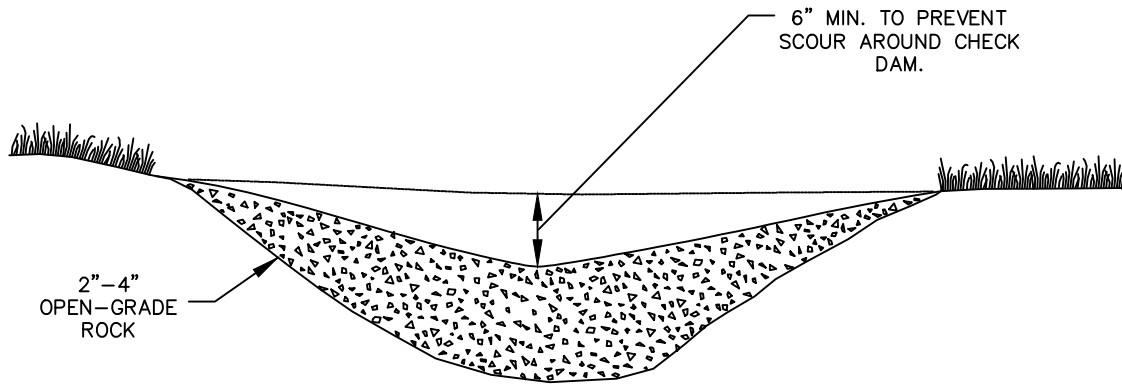
PLAN VIEW

PROFILE

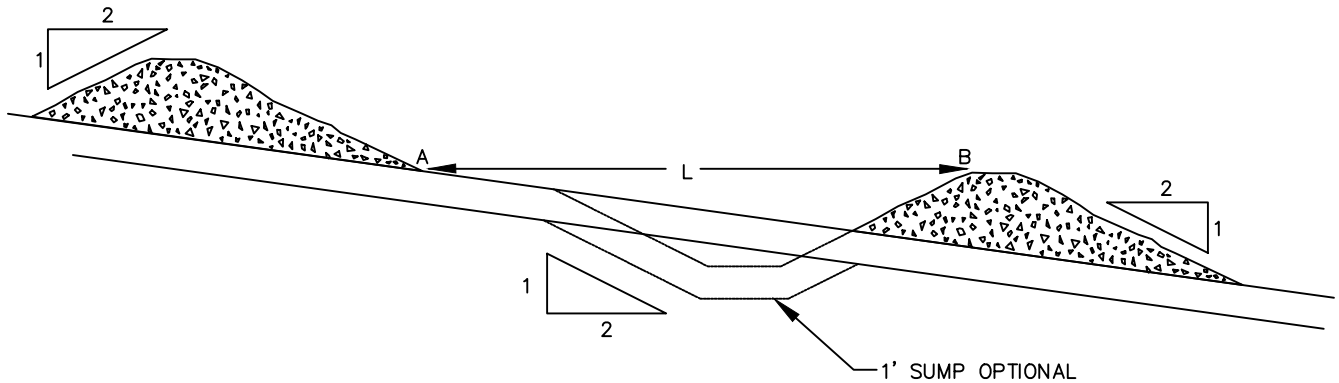
NOTES:

1. STAKING OF BAGS REQUIRED USING (2) 1"X2" WOOD STAKES OR APPROVED EQUAL PER BAG.
2. SURFACE MUST BE SMOOTH BEFORE APPLICATION.
3. CHECK DAMS CAN BE CONSTRUCTED USING STRAW WATTLES OR OTHER MATERIALS AS APPROVED BY THE DISTRICT OR CITY.

NO.	REVISIONS	DATE	BY	APPROVED
1				
2				
3				
4				DISTRICT ENGINEER



ROCK CHECK DAM



SPACING BETWEEN CHECK DAMS

NOTES:

1. L = THE DISTANCE SUCH THAT POINTS A AND B ARE OF EQUAL ELEVATION.
2. SEE DRAWING #940 FOR HEIGHT AND SPACING OF CHECK DAMS.

NO.	REVISIONS	DATE	BY	APPROVED
1				
2				
3				
4				DISTRICT ENGINEER

SPACING FOR CHECK DAMS

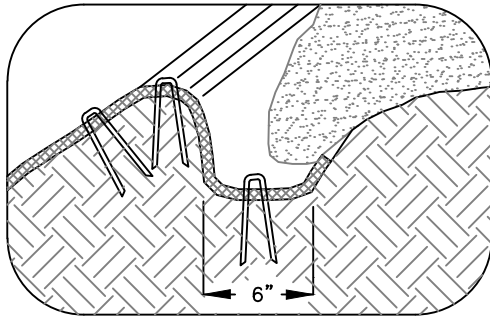
DITCH GRADE			
	6 INCH	12 INCH	18 INCH
6%	NOT ALLOWED	16 FT O.C.	26 FT O.C.
5%	NOT ALLOWED	20 FT	30 FT
4%	NOT ALLOWED	26 FT	40 FT
3%	15 FT	33 FT	50 FT
2%	25 FT	50 FT	80 FT

BARRIER SPACING FOR GENERAL APPLICATION

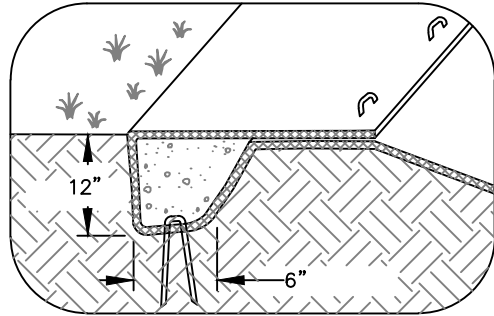
INSTALL PARALLEL ALONG CONTOURS AS FOLLOWS

% SLOPE	SLOPE H:V	MAXIMUM SPACING ON SLOPE
10% OR FLATTER	10:1 OR FLATTER	300 FT
>10% OR <15%	>10:1 OR <7.5:1	150 FT
>15% OR <20%	>7.5:1 OR <5:1	100 FT
>20% OR <30%	>5:1 OR <3.5:1	50 FT
>30% OR <50%	>3.5:1 OR <2:1	25 FT

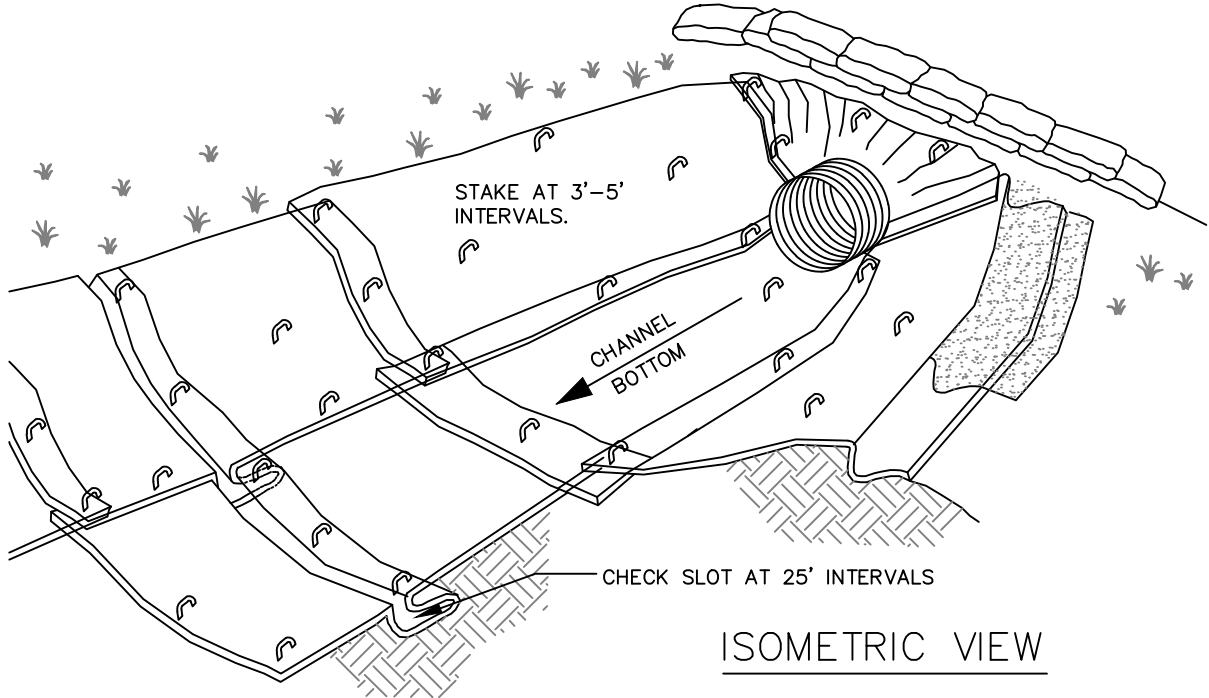
NO.	REVISIONS	DATE	BY	APPROVED
1				
2				
3				
4				



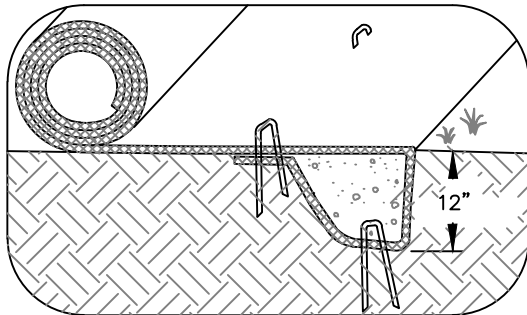
LONGITUDINAL
ANCHOR TRENCH



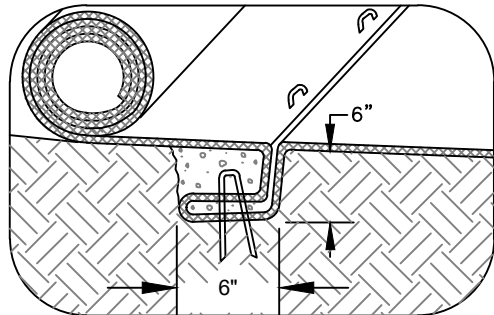
TERMINAL SLOPE AND
CHANNEL ANCHOR TRENCH



ISOMETRIC VIEW



INITIAL CHANNEL
ANCHOR TRENCH



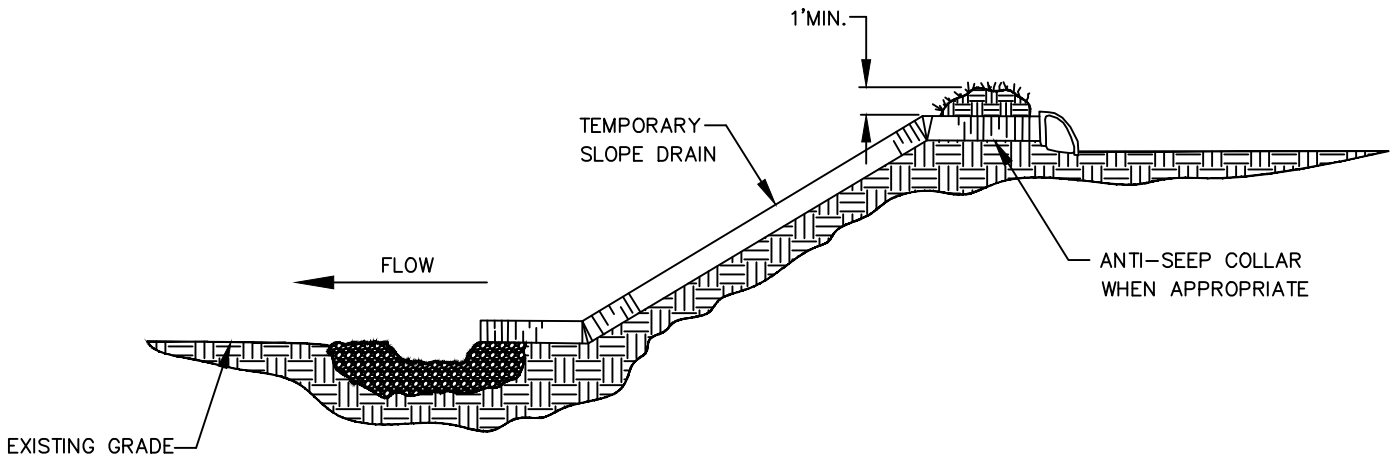
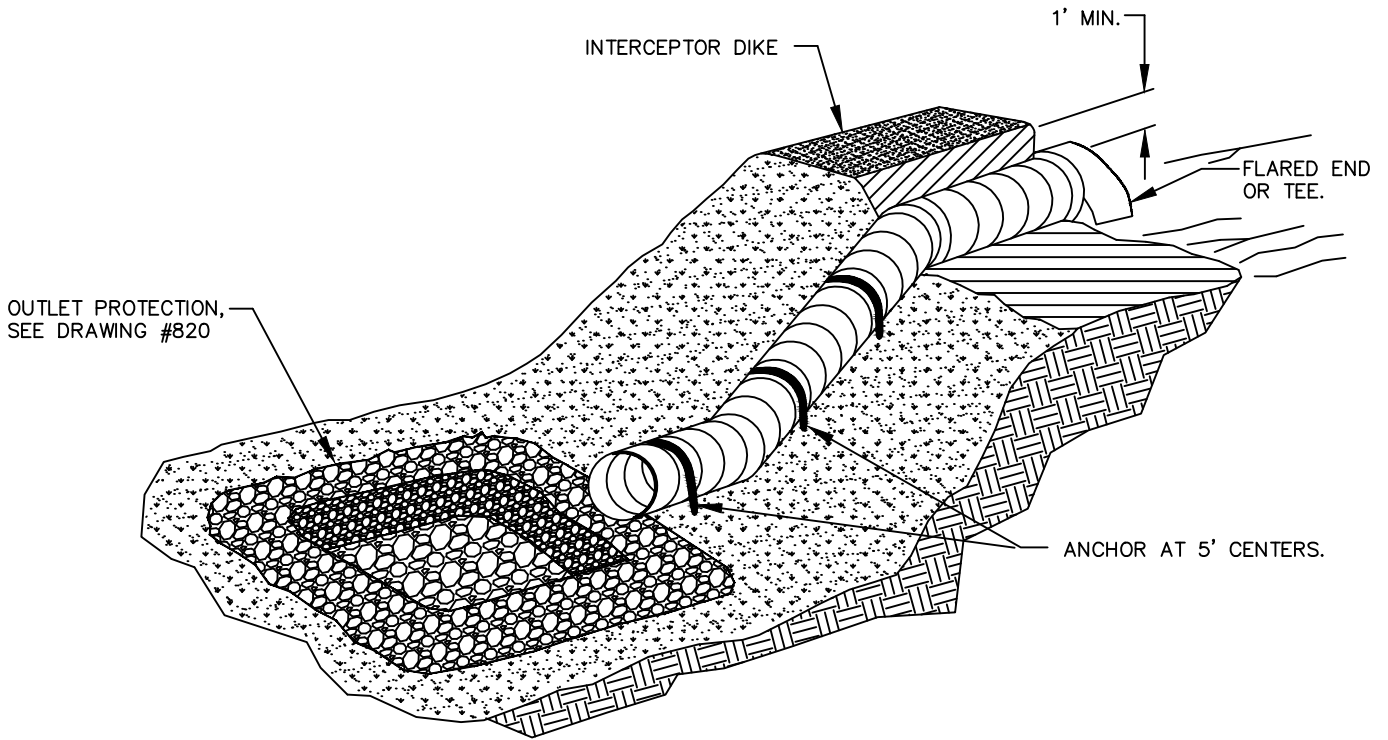
INTERMITTENT CHECK
SLOT

NOTES:

1. CHECK SLOTS TO BE CONSTRUCTED PER MANUFACTURERS SPECIFICATIONS.
2. STAKING OR STAPLING LAYOUT PER MANUFACTURERS SPECIFICATIONS.

NO.	REVISIONS	DATE	BY	APPROVED
1				
2				
3				
4				DISTRICT ENGINEER

FOR FURTHER INFORMATION
ON DESIGN CRITERIA SEE
CHAPTER 4 OF CLEAN WATER
SERVICES EROSION PREVENTION
AND SEDIMENT CONTROL
PLANNING AND DESIGN MANUAL.



OAK LODGE
WATER SERVICES

CHANNEL FLOW
PIPE SLOPE DRAIN

DRAWING NO.

254

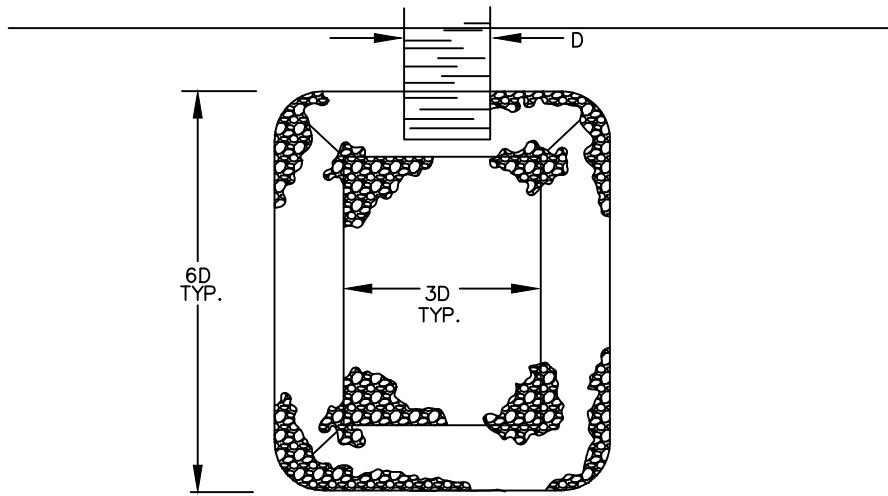
EROSION CONTROL STANDARD DRAWING

NO.	REVISIONS	DATE	BY	APPROVED
1				
2				
3				
4				DISTRICT ENGINEER

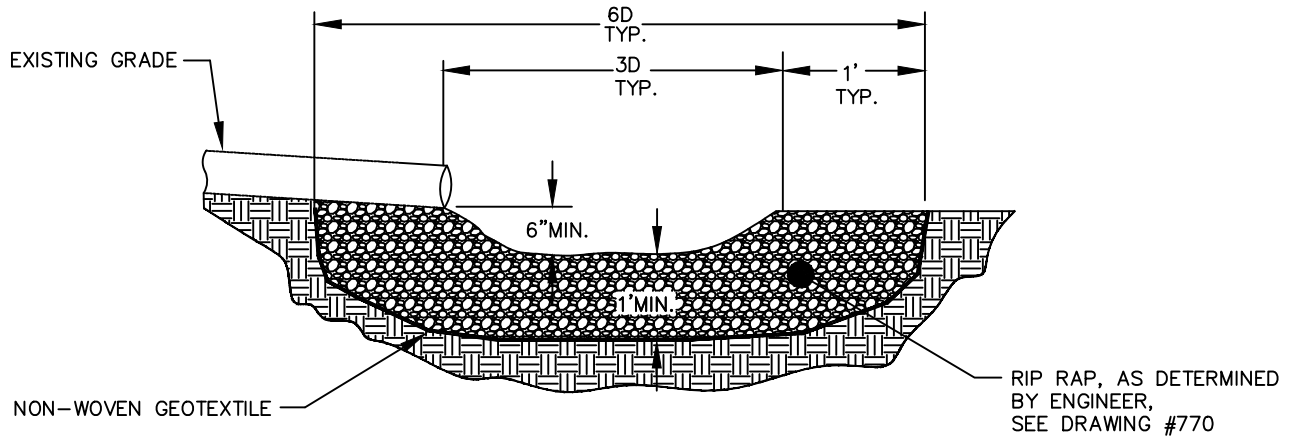
DATE: 02/18/2020

SCALE: NTS

FOR FURTHER INFORMATION
 ON DESIGN CRITERIA SEE
 CHAPTER 4 OF CLEAN WATER
 SERVICES EROSION PREVENTION
 AND SEDIMENT CONTROL
 PLANNING AND DESIGN MANUAL.



PLAN VIEW



PROFILE

NOTE:

1. ADDITIONAL BMP'S ARE REQUIRED WHEN DISCHARGING SEDIMENT LADEN WATER.

OAK LODGE
 WATER SERVICES

CHANNEL FLOW
 RIPRAP OUTLET PROTECTION

DRAWING NO.

255

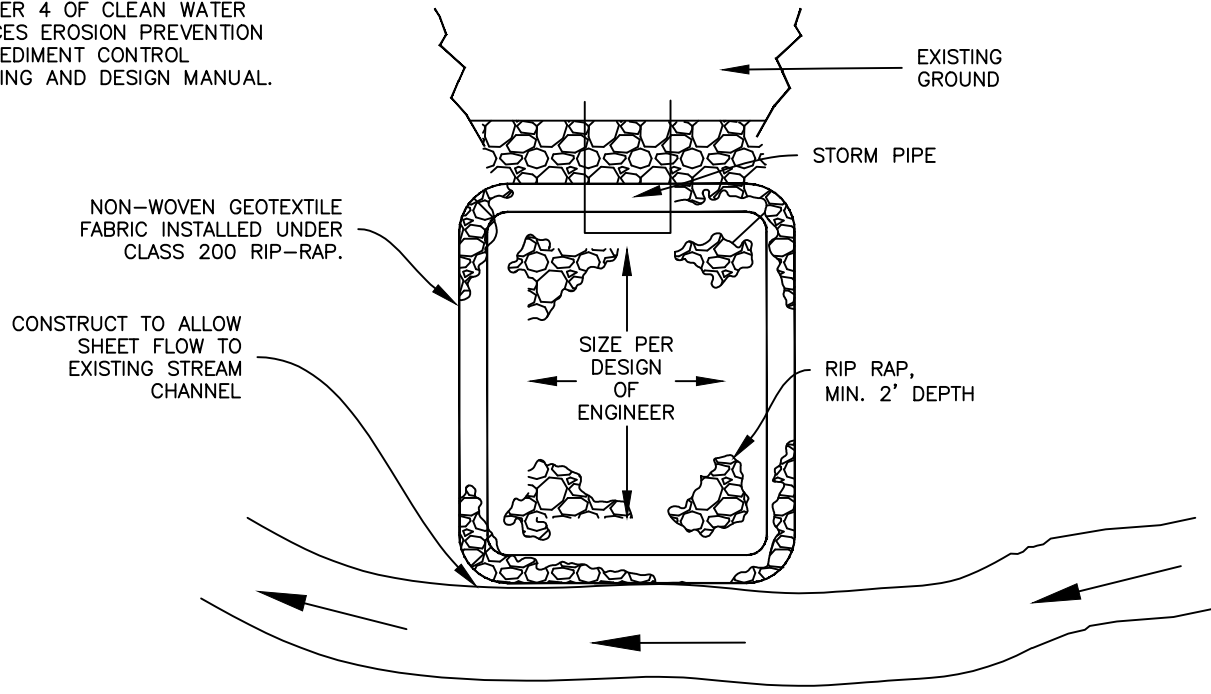
EROSION CONTROL STANDARD DRAWING

NO.	REVISIONS	DATE	BY	APPROVED
1				
2				
3				
4				DISTRICT ENGINEER

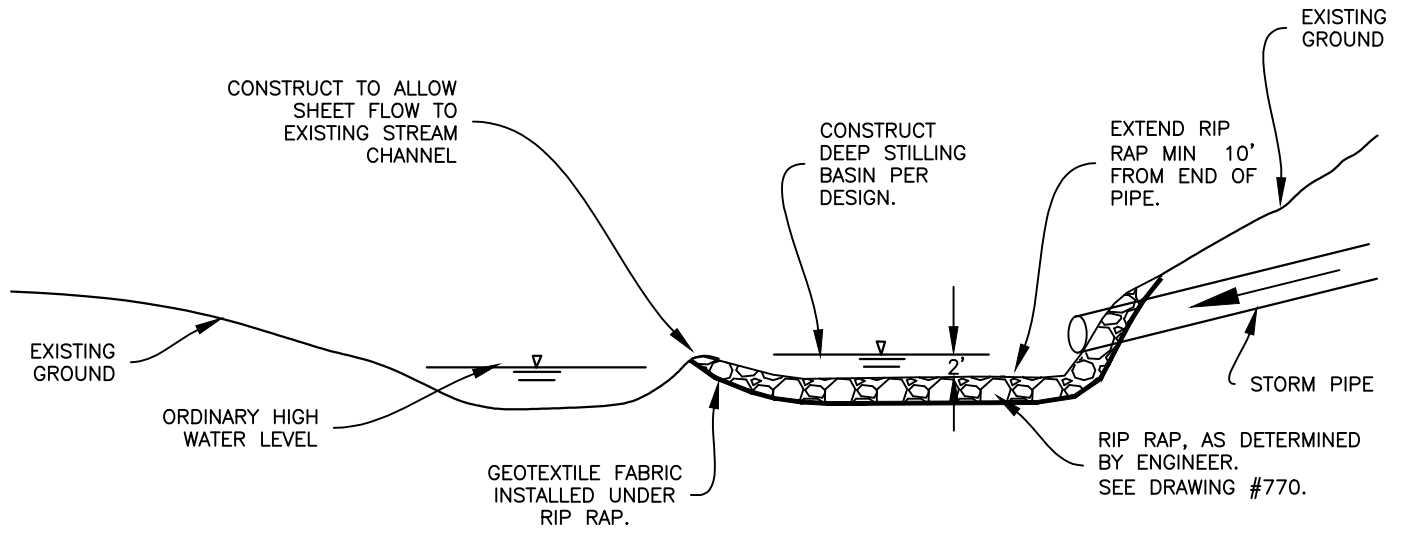
DATE: 02/18/2020

SCALE: NTS

FOR FURTHER INFORMATION
ON DESIGN CRITERIA SEE
CHAPTER 4 OF CLEAN WATER
SERVICES EROSION PREVENTION
AND SEDIMENT CONTROL
PLANNING AND DESIGN MANUAL.



PLAN VIEW
NTS

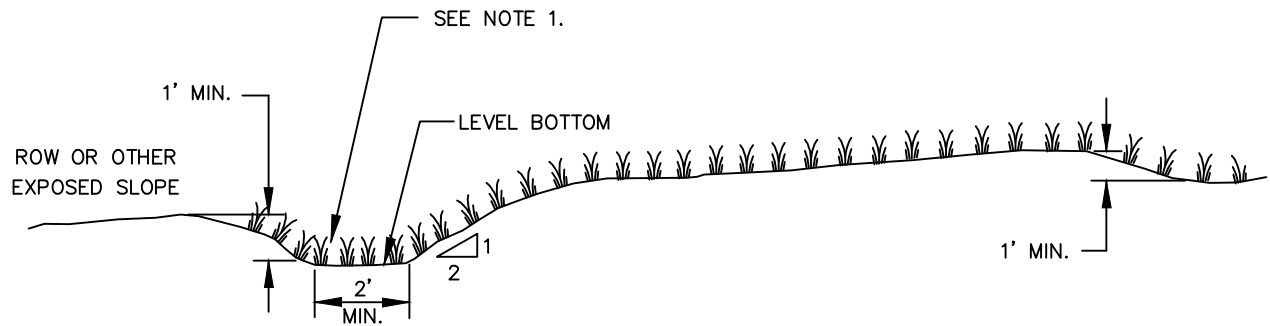


PROFILE

NOTES:

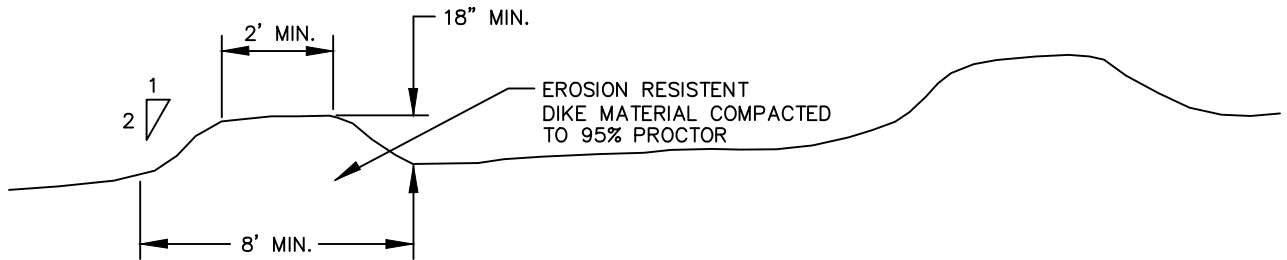
1. ADDITIONAL BMP'S ARE REQUIRED WHEN DISCHARGING SEDIMENT LADEN WATER.
2. CONTRACTOR TO COMPLY WITH CONDITIONS AND REQUIREMENT OF DSL AND CORPS PERMITS.

NO.	REVISIONS	DATE	BY	APPROVED
1				
2				
3				
4				DISTRICT ENGINEER



BOTTOM WIDTH – 2 FEET MINIMUM; THE BOTTOM WIDTH SHALL BE LEVEL.
 DEPTH – 1 FOOT MINIMUM.
 SIDE SLOPE – 2H:1V OR FLATTER.
 GRADE – MAXIMUM 5 PERCENT, WITH POSITIVE DRAINAGE TO A
 SUITABLE OUTLET (SUCH AS SEDIMENTATION POND)

DIVERSION SWALE



DIVERSION DIKE

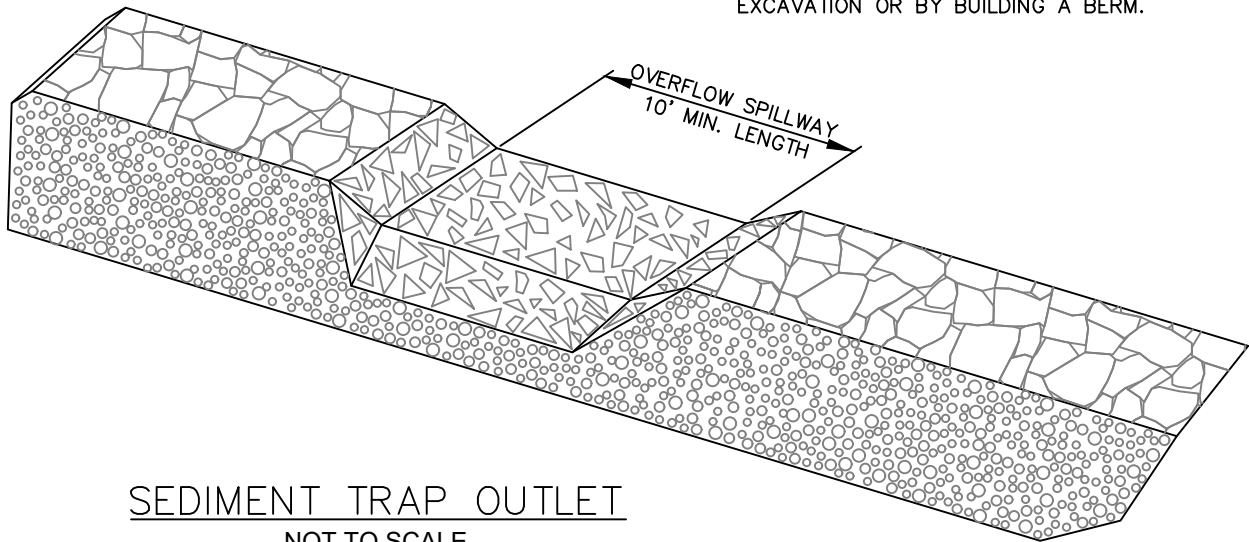
SLOPE	SPACING
<5%	300 FEET
5-10%	200 FEET
10-40%	100 FEET

NOTE:

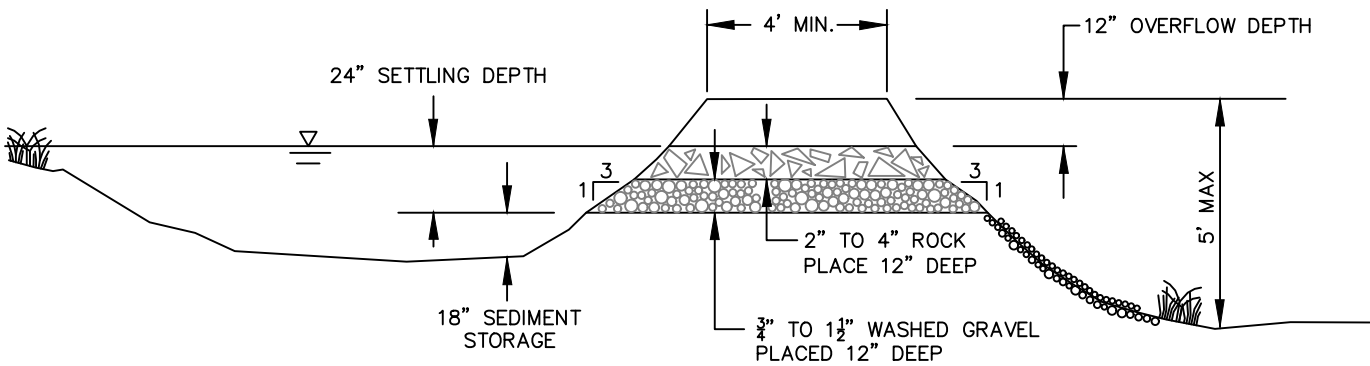
1. ESTABLISH VEGETATION AND/OR APPLY APPROVED EROSION PREVENTION BMPS IMMEDIATELY UPON CONSTRUCTION.

NO.	REVISIONS	DATE	BY	APPROVED
1				
2				
3				
4				DISTRICT ENGINEER

NOTE: MAY BE CONSTRUCTED BY
EXCAVATION OR BY BUILDING A BERM.



SEDIMENT TRAP OUTLET
NOT TO SCALE

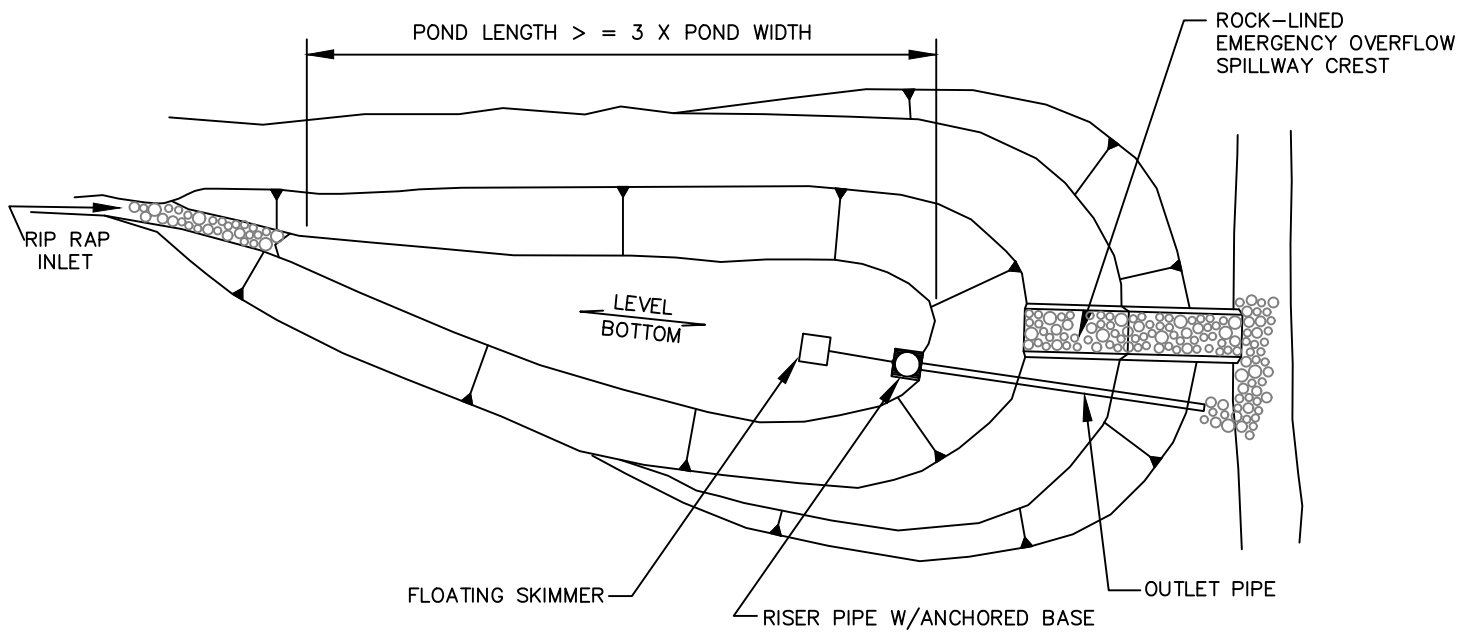


CROSS SECTION

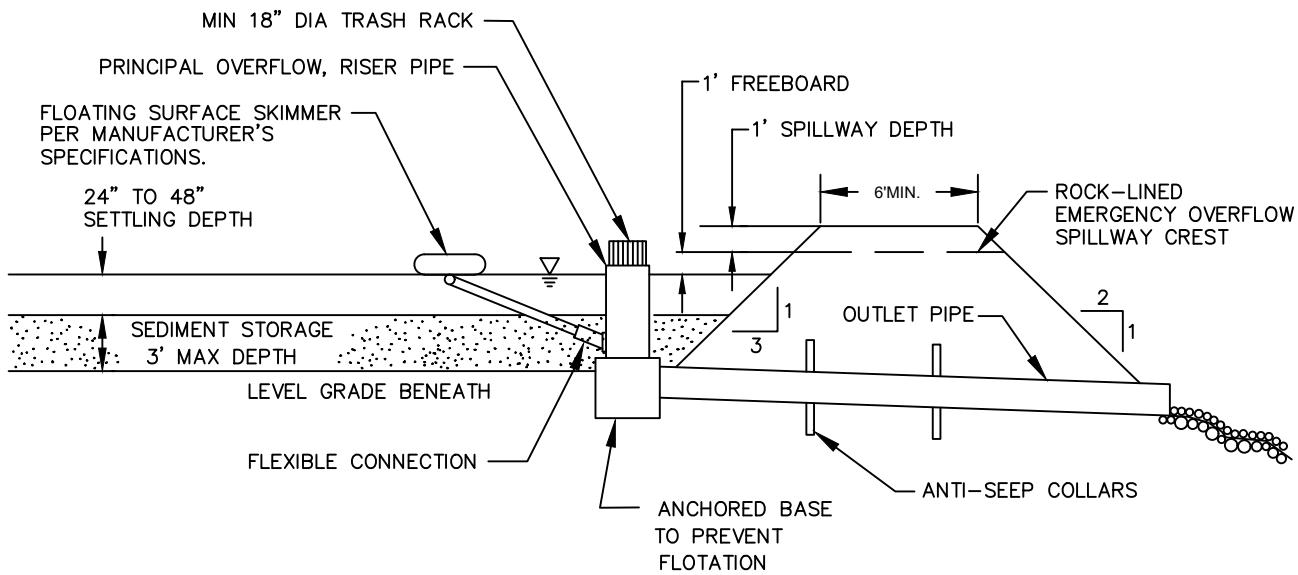
NOTE:

1. ADDITIONAL BMPs MAY BE REQUIRED TO FILTER RUNOFF FROM THE SEDIMENT TRAP PRIOR TO DISCHARGE FROM THE CONSTRUCTION SITE.

NO.	REVISIONS	DATE	BY	APPROVED
1				
2				
3				
4				DISTRICT ENGINEER



PLAN VIEW

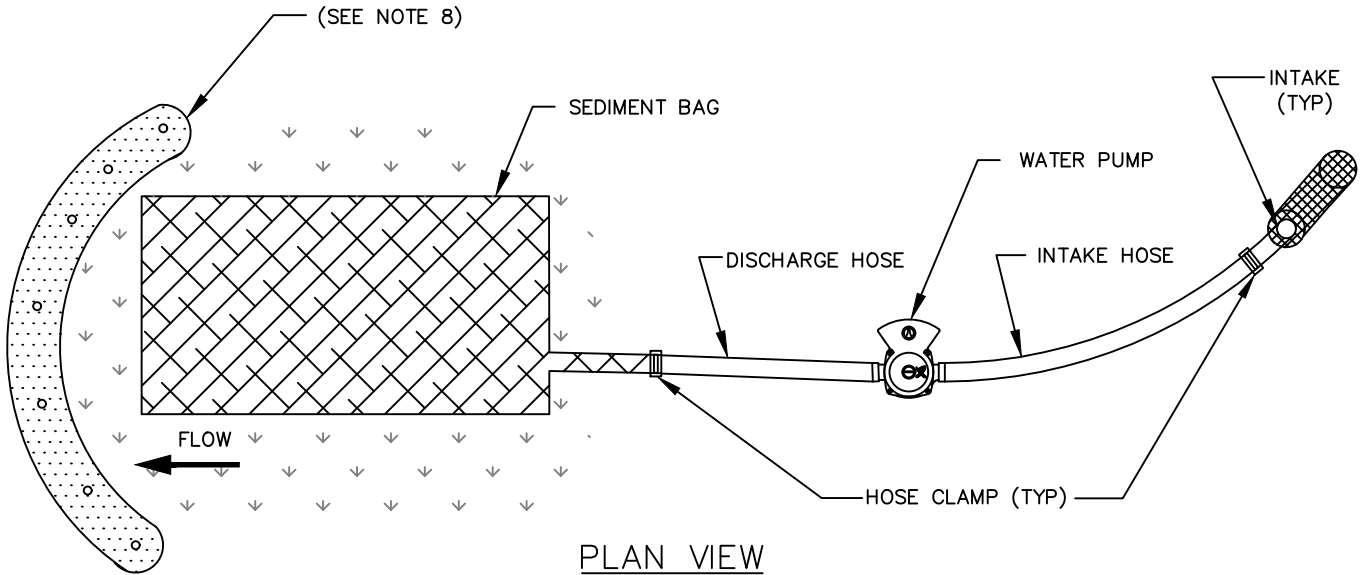


PROFILE

NOTE:

1. 50' MINIMUM OF HIGHLY VEGETATED AREA AND/OR SEDIMENT FENCE IS REQUIRED PRIOR TO DISCHARGING TO STREAM OR WETLAND.

NO.	REVISIONS	DATE	BY	APPROVED
1				
2				
3				
4				DISTRICT ENGINEER



PLAN VIEW

NOTES:

1. THE SEDIMENT BAG SHALL BE MANUFACTURED USING A POLYPROPYLENE 8 OZ. NON-WOVEN GEOTEXTILE SEWN INTO A BAG WITH A DOUBLE NEEDLE, USING A HIGH STRENGTH THREAD.
2. EACH STANDARD SEDIMENT BAG MUST HAVE A FILL SPOUT LARGE ENOUGH TO ACCOMMODATE A 4" DISCHARGE HOSE. STRAPS ARE ATTACHED TO SECURE THE HOSE AND PREVENT PUMPED WATER FROM ESCAPING WITHOUT BEING FILTERED.
3. THE SEDIMENT BAG SHALL MEET OR EXCEED OVERALL BAG REMOVAL EFFICIENCY RATE OF 97.55%.
4. WATER BEING DISCHARGED FROM THE SEDIMENT BAG MUST BE FREE OF ALL SEDIMENT PRIOR TO LEAVING THE SITE OR ENTERING INTO THE STORM SYSTEM.
5. SEDIMENT BAG IS FULL WHEN IT NO LONGER CAN EFFICIENTLY FILTER SEDIMENT OR ALLOW WATER TO PASS AT A RATE LESS THAN 50% OF MANUFACTURER'S DESIGNED FLOW RATE.
6. DURING USE, THE SEDIMENT BAG MUST BE MONITORED.
7. DISPOSE OF USED SEDIMENT BAG OFF SITE OR AS APPROVED BY CWS.
8. WHEN APPROPRIATE, INSTALL DOWNSTREAM SEDIMENT CONTROL MEASURES PER CWS STANDARDS.
9. FOR BEST RESULTS, PLACE SEDIMENT BAG ON FLAT SURFACE.
10. SEDIMENT BAG SHOULD BE PLACED ON EXISTING VEGETATION, SMOOTH ROCK, OR BED OF STRAW.

NO.	REVISIONS	DATE	BY	APPROVED
1				
2				
3				
4				DISTRICT ENGINEER