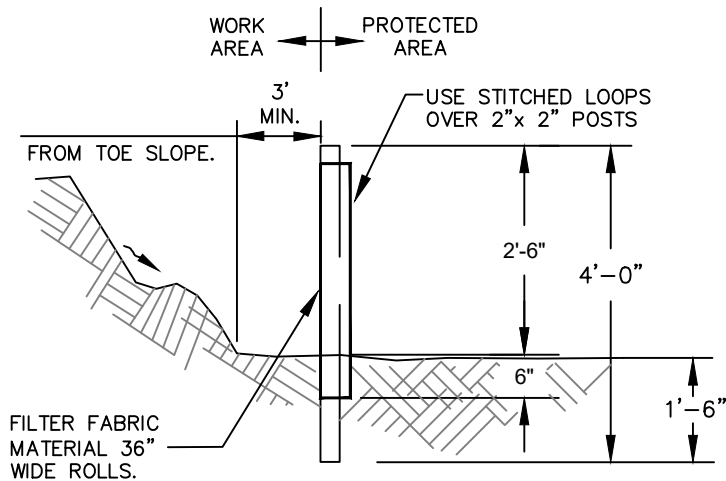


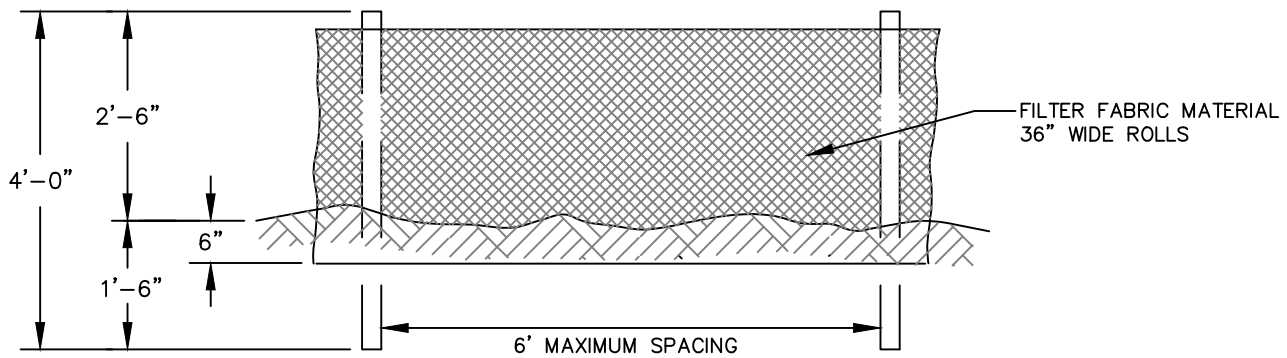
PLAN VIEW



SECTION

NOTES:

1. SEDIMENT FENCE TO HAVE STITCHED LOOPS AROUND 2" x 2" POSTS.
2. BURY BOTTOM OF FILTER FABRIC 6" VERTICALLY BELOW FINISHED GRADE.
3. 2" x 2" FIR, PINE OR STEEL FENCE POSTS.
4. COMPACT BOTH SIDES OF FILTER FABRIC TRENCH.



FRONT VIEW

NO.	REVISIONS	DATE	BY	APPROVED
1				
2				
3				
4				DISTRICT ENGINEER