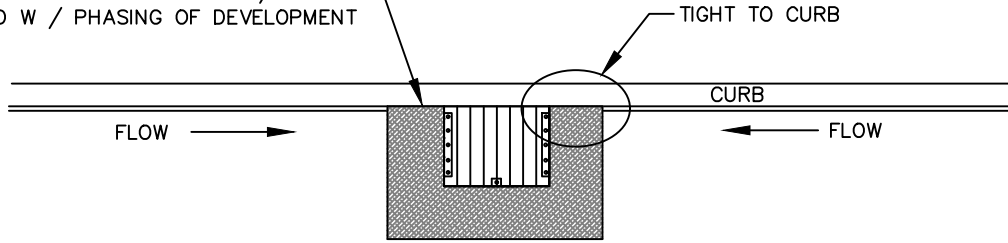
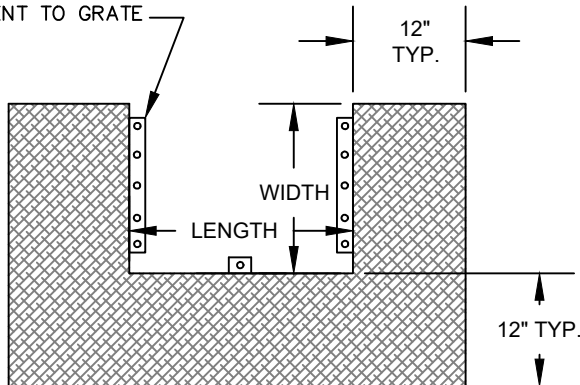


MAY BE USED SHORT TERM W / UTILITY WORK AND W / PHASING OF DEVELOPMENT

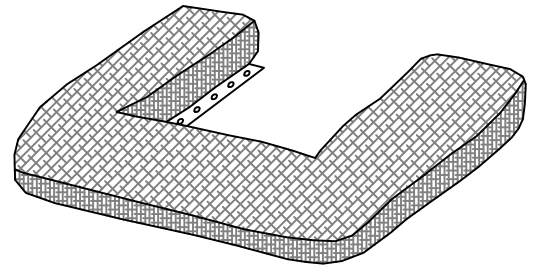


CATCH BASIN

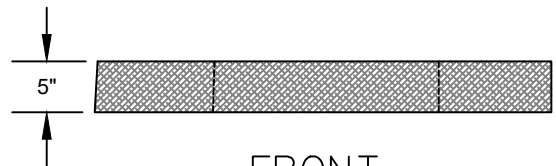
ZIP TIES USED FOR ATTACHMENT TO GRATE



TOP



ISOMETRIC



FRONT

INSTALLATION NOTES:

1. INSTALL SOLID FABRIC SIDE DOWN AND MESH SIDE UP.
2. ATTACH TO CATCH BASIN GRATE AT A MINIMUM OF 3 LOCATIONS TIGHT TO CURB WITH 1/4" WIDE ZIP TIES.

MAINTENANCE NOTES:

1. ANY VISIBLE SIGN OF SEDIMENT ACCUMULATION SHALL BE CLEANED UP AT THE END OF EACH WORKDAY.
2. REPLACE U – SHAPED FILTER BAG AS NECESSARY TO PREVENT WOOD CHIPS FROM ENTERING THE STORM SYSTEM.

NO.	REVISIONS	DATE	BY	APPROVED
1				
2				
3				
4				DISTRICT ENGINEER