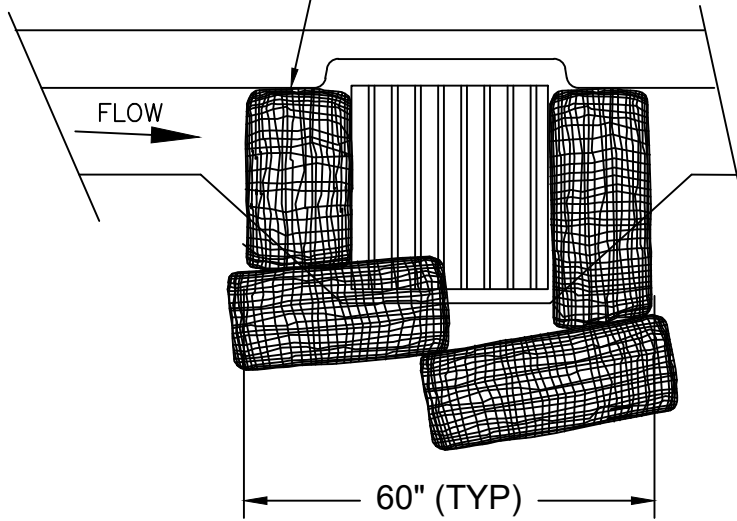
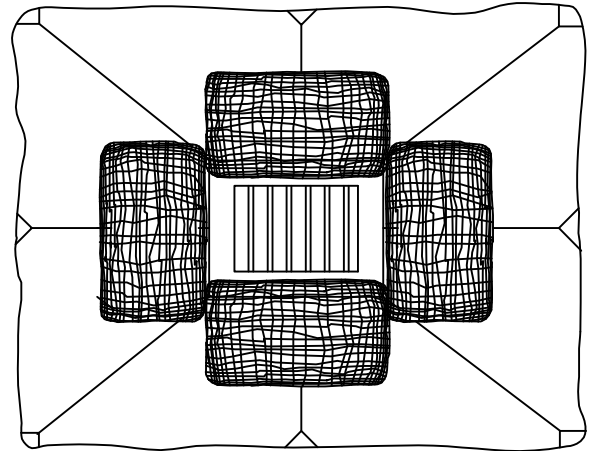


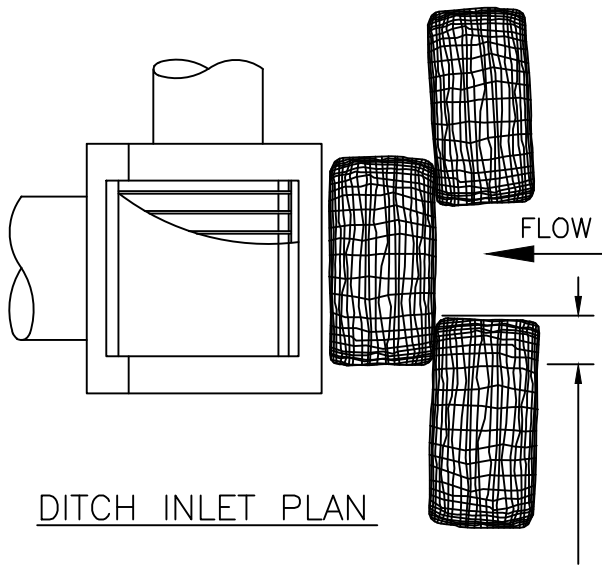
MAY BE USED SHORT TERM
W/ UTILITY WORK AND W/
PHASING OF DEVELOPMENT



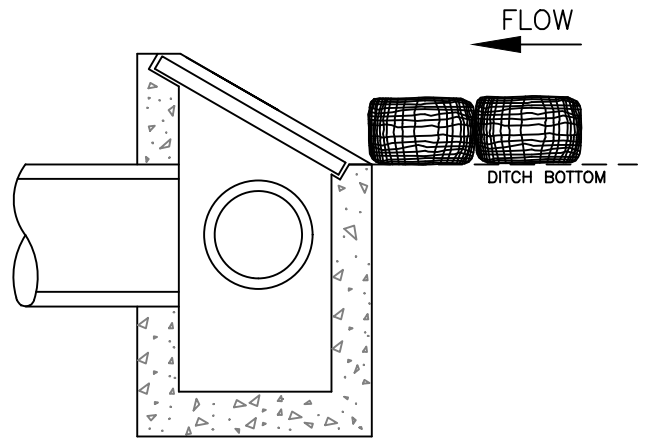
CATCH BASIN PLAN



AREA DRAIN PLAN



DITCH INLET PLAN



DITCH INLET SECTION

6" MIN OVERLAP OF BAGS,
TYP FOR ALL DRAIN INLET TYPES

NOTES:

1. ADDITIONAL MEASURES MUST BE CONSIDERED DEPENDING ON SOIL TYPES.
2. BIO-FILTER BAGS SHOULD BE STAKED WHERE APPLICABLE USING TWO 1"x2" WOODEN STAKES OR APPROVED EQUAL PER BAG.
3. WHEN USING 30" BIO-BAGS TO PROTECT A CATCH BASIN, USE FOUR BAGS OVERLAPPED BY 6 INCHES.

NO.	REVISIONS	DATE	BY	APPROVED
1				
2				
3				
4				DISTRICT ENGINEER